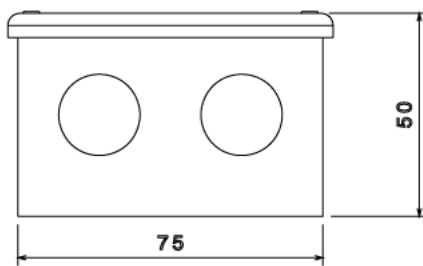
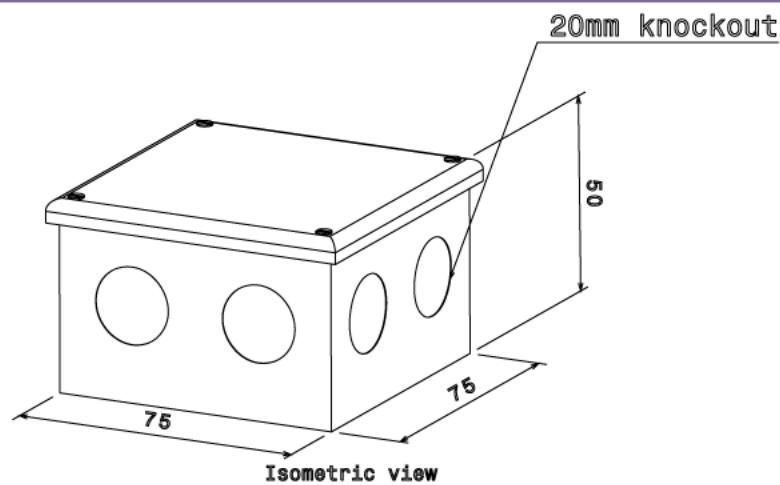
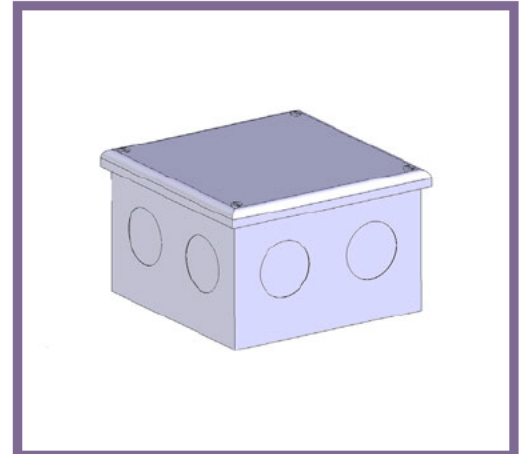


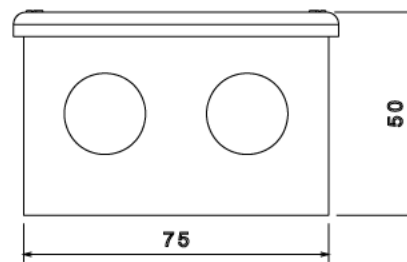


AB02G/K - ADAPTABLE BOX - KNOCK OUT

Description	AB02G/K - 75 x 75 x 50mm (3 x 3 x 2") Adaptable Box - Knock Out
Finish	Pre Galvanised Sheet Steel
Material	1.2mm Nominal Galvanised Steel Sheet to BS EN 50142 & 3
Packaging	Packed in qty 10 (Can be purchased individually)
Additional Notes	Comprises of Body, Flanged Cover and 4 Lid Fixing Screws Knock outs - 2 x 20mm on each face Compliant To LU Standard 1-085 (For Use On Surface & Sub-Surface Locations)



Front view



Side View

All measurements in mm unless otherwise stated