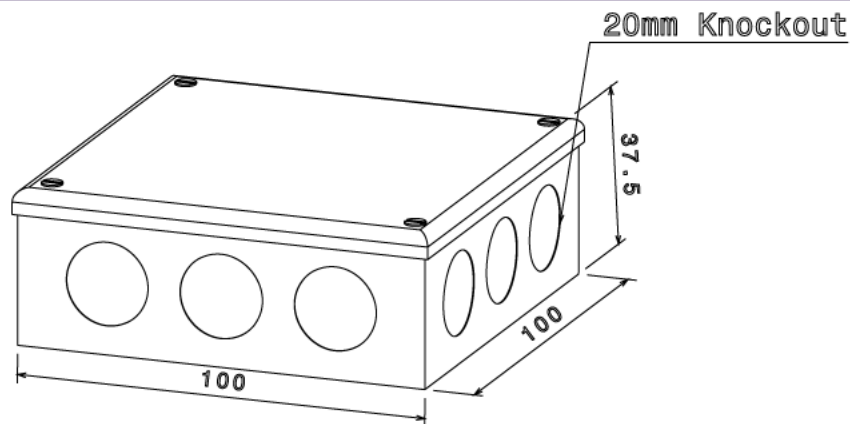
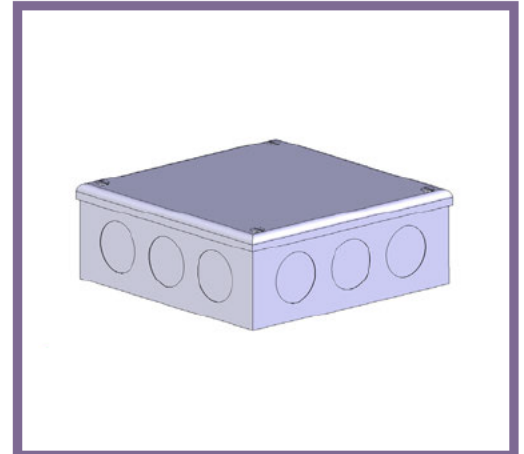


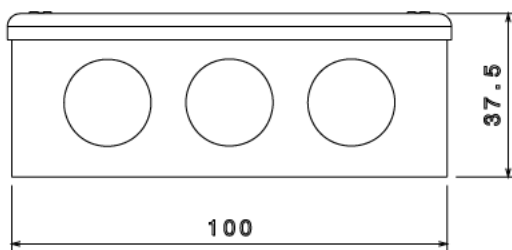


## AB04G/K - ADAPTABLE BOX - KNOCK OUT

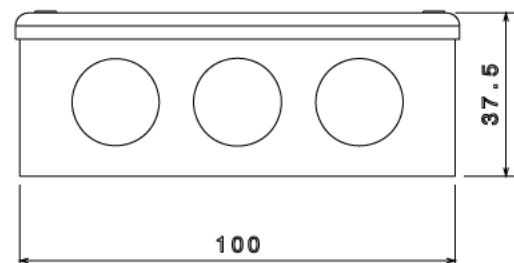
<b>Description</b>	AB04G/K - 100 x 100 x 37.5mm (4 x 4 x 1.5") Adaptable Box - Knock Out
<b>Finish</b>	Pre Galvanised Sheet Steel
<b>Material</b>	1.2mm Nominal Galvanised Steel Sheet to BS EN 50142 & 3
<b>Packaging</b>	Packed in qty 5 ( Can be purchased individually)
<b>Additional Notes</b>	Comprises of Body, Flanged Cover and 4 Lid Fixing Screws Knock outs - 3 x 20mm on each face Compliant To LU Standard 1-085 ( For Use On Surface & Sub-Surface Locations)



Isometric view



Front view



Side view

All measurements in mm unless otherwise stated