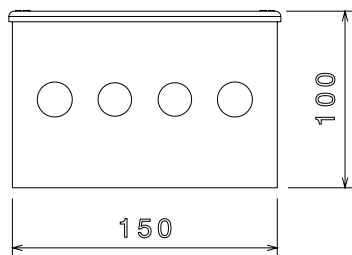
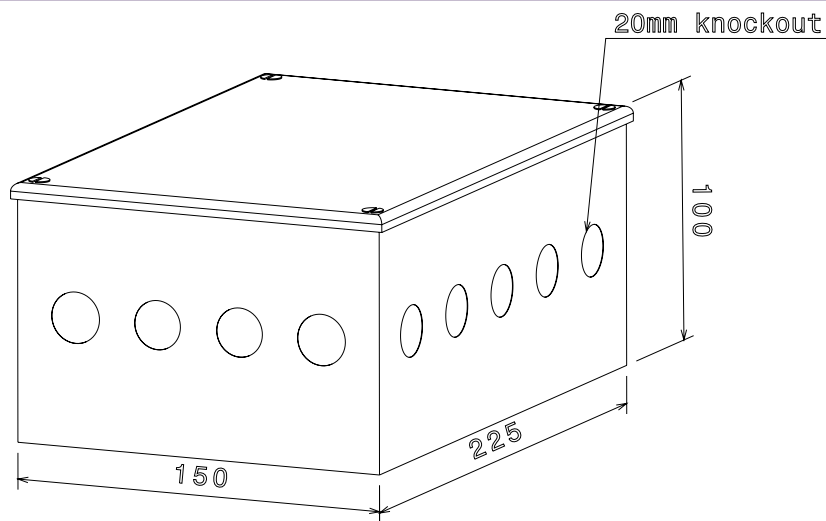
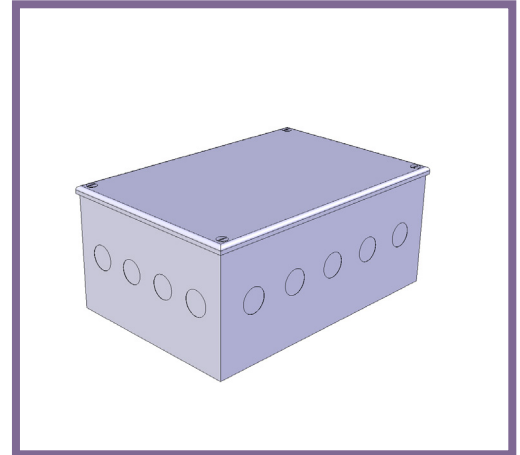




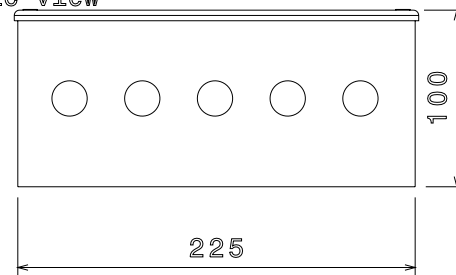
AB18G/K - ADAPTABLE BOX - KNOCK OUT

Description	AB18G/K - 225 x 150 x 100mm (9 x 6 x 4") Adaptable Box - Knock Out
Finish	Pre Galvanised Sheet Steel
Material	Galvanised Steel Sheet
Packaging	Packed in qty 2 (Can be purchased individually)
Additional Notes	Comprises of Body, Flanged Cover and M5 x 10mm Lid Fixing Screws Knock outs - 4 x 20mm (end face) 5 x 20mm (side face) Compliant To LU Standard 1-085 (For Use On Surface & Sub-Surface Locations)



Front view

Isometric view



Side view

All measurements in mm unless otherwise stated