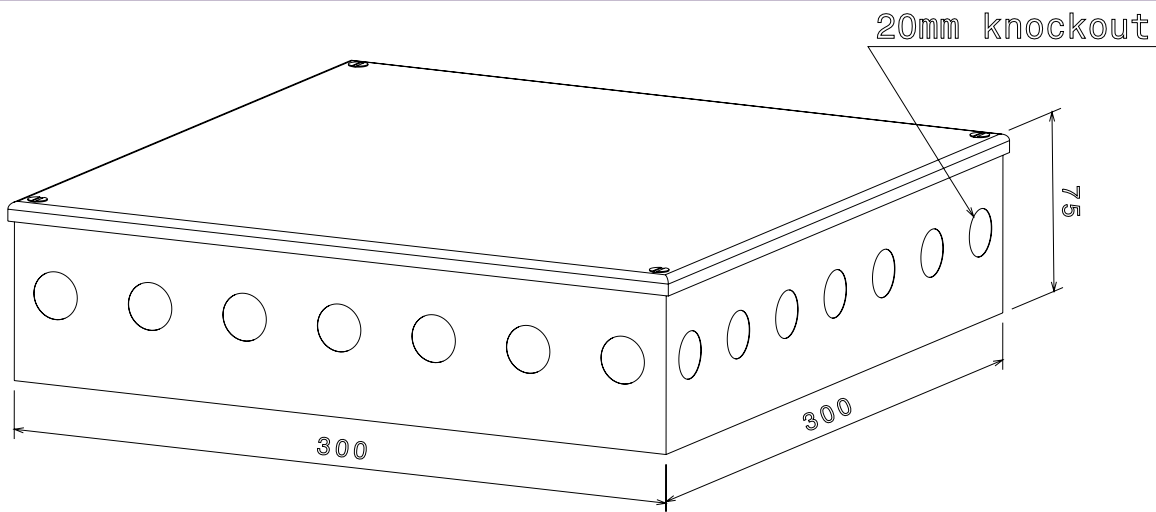
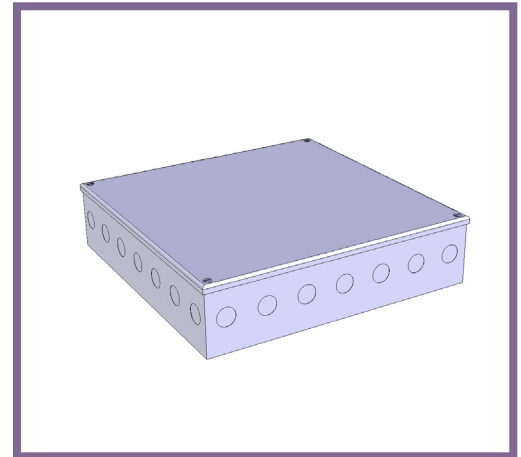


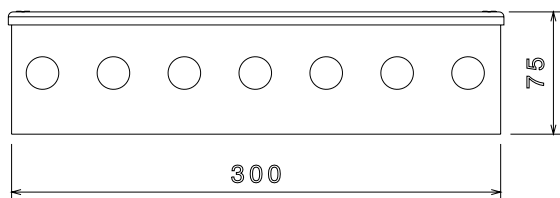


## AB23G/K - ADAPTABLE BOX - KNOCK OUT

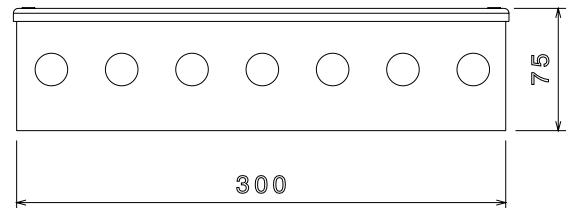
|                         |  |
|-------------------------|--|
| <b>Description</b>      | AB23G/K - 300 x 300 x 75mm (12 x 12 x 3") Adaptable Box - Knock Out  |
| <b>Finish</b>           | Pre Galvanised Sheet Steel   |
| <b>Material</b>         | Galvanised Steel Sheet   |
| <b>Packaging</b>        | Supplied individually  |
| <b>Additional Notes</b> | Comprises of Body, Flanged Cover and M5 x 10mm Lid Fixing Screws<br>Knock outs - 7 x 20mm on each face<br>Compliant To LU Standard 1-085 ( For Use On Surface & Sub-Surface Locations) |



Isometric view



Front view



Side view

All measurements in mm unless otherwise stated