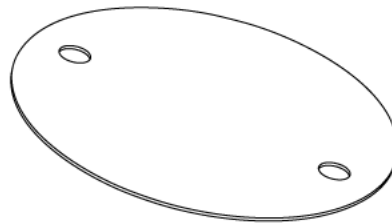
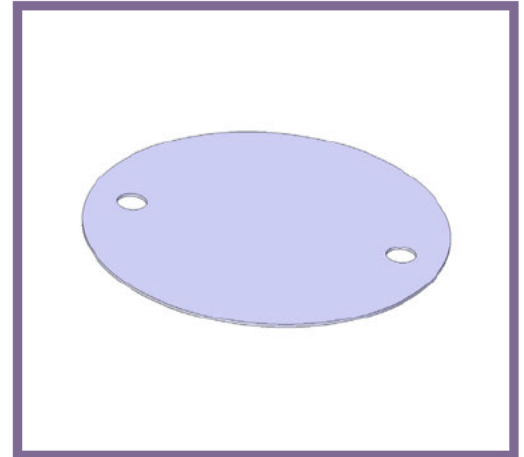


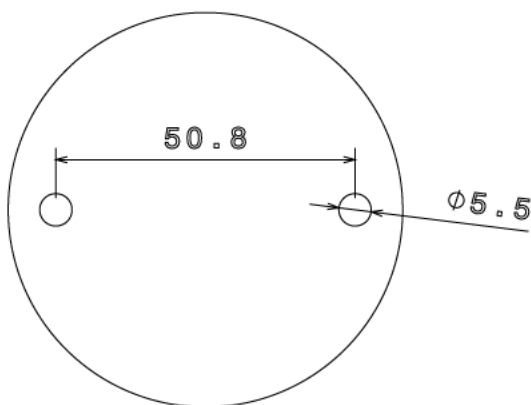


## BL1 - CIRCULAR BOX LID

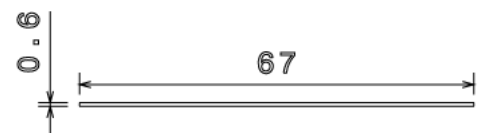
<b>Description</b>	BL1G / B - Circular Box Lid
<b>Finish</b>	Pre Galvanised (G) or Black Enamel (B)
<b>Material</b>	Pressed Steel
<b>Packaging</b>	Packed in qty 100
<b>Additional Notes</b>	For use with 20 & 25mm Circular Conduit Boxes Compliant to LU Standard 1-085 ( for use on surface & sub-surface locations)



Isometric view



Top view



Side view

All measurements in mm unless otherwise stated