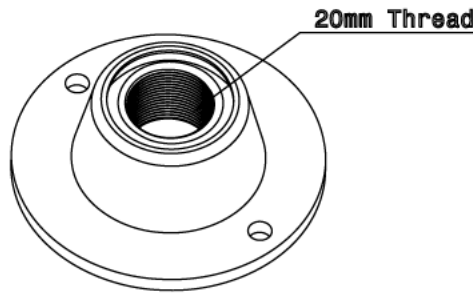


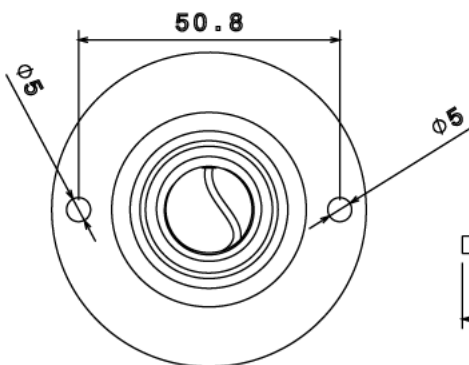


## BSC1G - BALL & SOCKET COVER

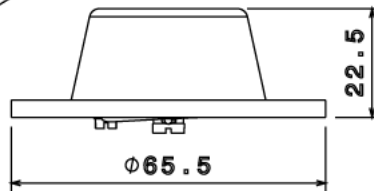
<b>Description</b>	BSC1G - 20mm Ball & Socket Cover
<b>Finish</b>	Galvanised
<b>Material</b>	Malleable Iron
<b>Packaging</b>	Packed in qty 20
<b>Additional Notes</b>	Comprises of Body and 20mm Threaded Ball Compliant to LU Standard 1-085 ( for use on surface & sub-surface locations)



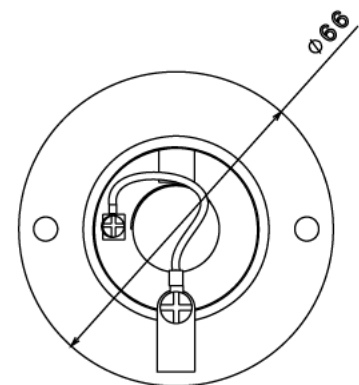
**Isometric view**



**Top view**



**Side view**



**Bottom view**

All measurements in mm unless otherwise stated