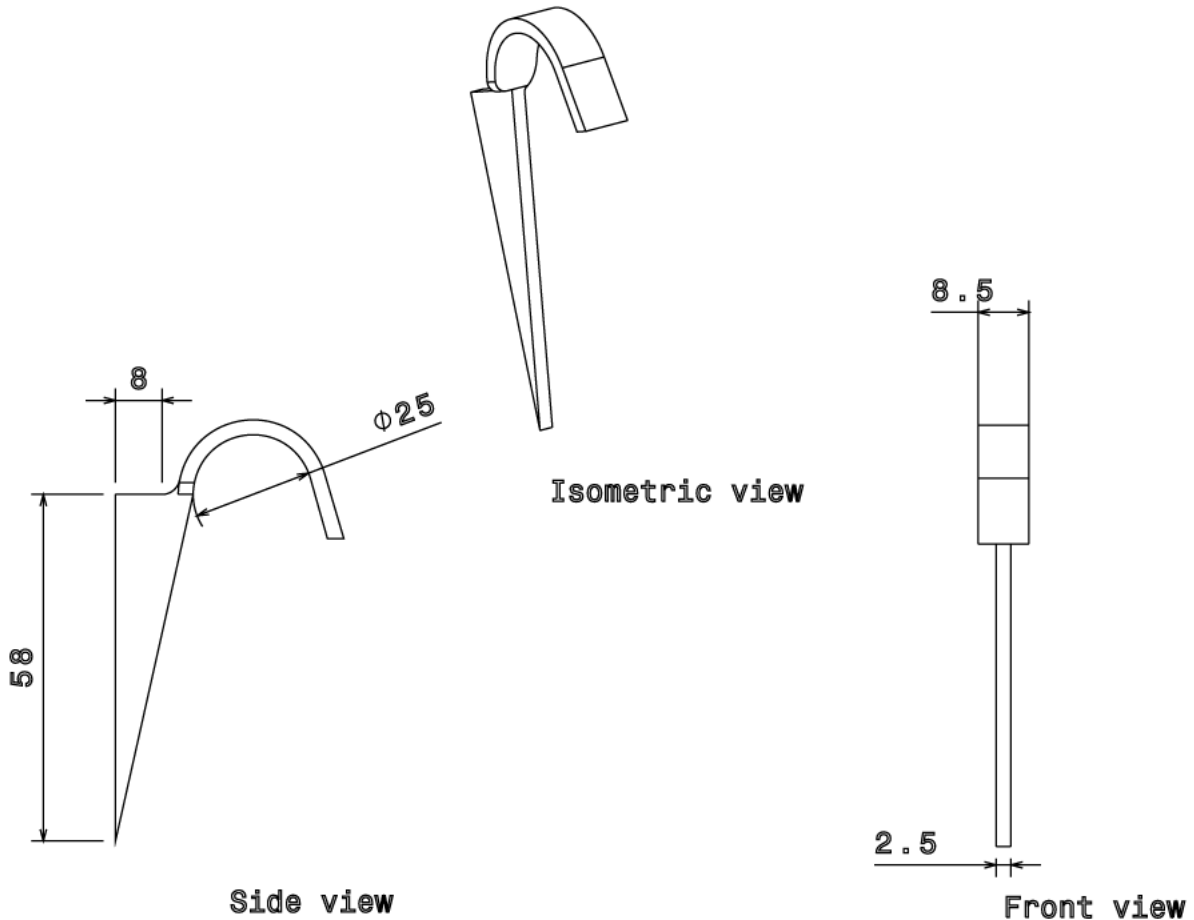




CF2G/T - TWISTED CRAMPET

Description	CF2G/T - 25mm Twisted Crampet
Finish	BZP
Material	Pressed Steel
Packaging	Packed in qty 100
Additional Notes	Compliant to LU Standard 1-085 (For use on surface & sub-surface locations)



All measurements in mm unless otherwise stated