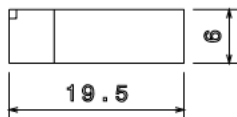
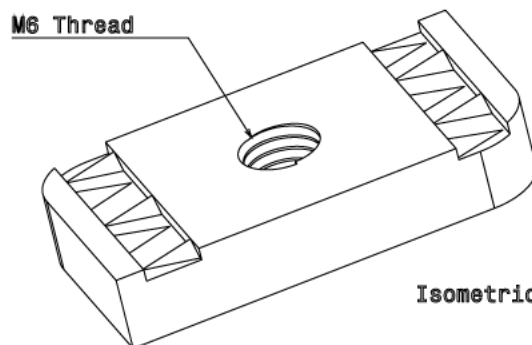


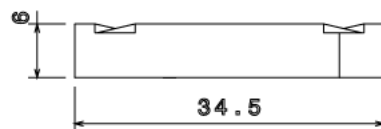


## CS20/GA - CHANNEL SPRING NUT

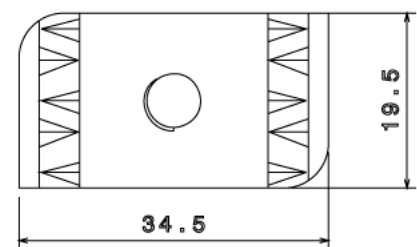
<b>Description</b>	CS20/GA - M6 Plain Spring Nut
<b>Finish</b>	Hot Dipped Galvanised
<b>Material</b>	Steel
<b>Packaging</b>	Packed in qty 100
<b>Additional Notes</b>	For use with 21mm and 41mm Depth Channel Produced to comply with the requirements of BS6946 Metal Channel Support Systems Compliant To LU Standard 1-085 ( For Use On Surface & Sub-Surface Locations)



**Front view**



**Side view**



**Top view**

All measurements in mm unless otherwise stated