



## CS20/SS - CHANNEL SPRING NUT

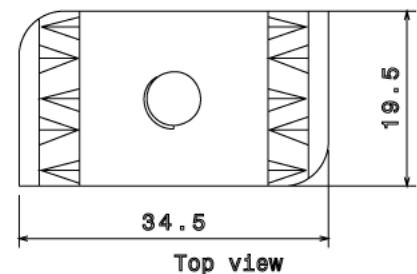
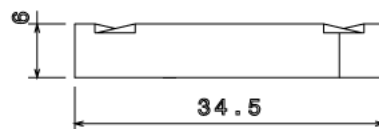
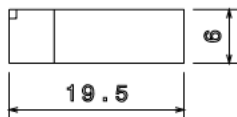
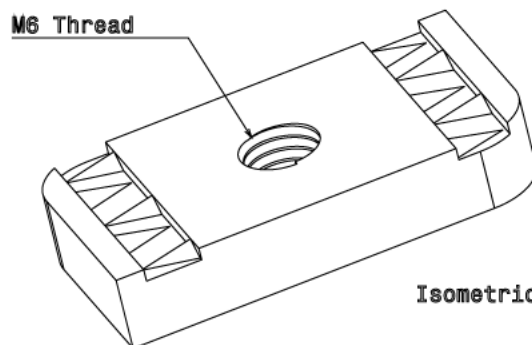
**Description** CS20/SS - M6 Plain Spring Nut

**Finish** Self Colour

**Material** Stainless Steel Grade 316

**Packaging** Packed in qty 100

**Additional Notes** For use with 21mm and 41mm Depth Channel  
Produced to comply with the requirements of BS6946 Metal Channel Support Systems  
Compliant To LU Standard 1-085 ( For Use On Surface & Sub-Surface Locations)



All measurements in mm unless otherwise stated