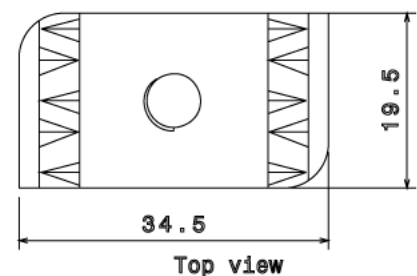
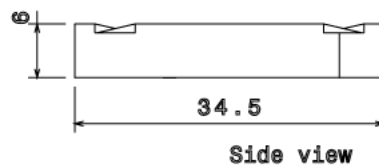
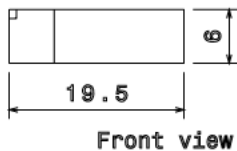
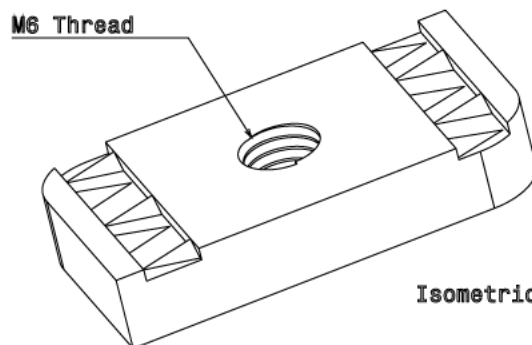




## CS20 - CHANNEL SPRING NUT

|                         |  |
|-------------------------|--|
| <b>Description</b>      | CS20 - M6 Plain Spring Nut   |
| <b>Finish</b>           | Bright Zinc Plated - Also available in Hot Dip Galvanised (GA) and Stainless Steel (SS)  |
| <b>Material</b>         | Steel  |
| <b>Packaging</b>        | Packed in qty 100  |
| <b>Additional Notes</b> | For use with 21mm and 41mm Depth Channel<br>Produced to comply with the requirements of BS6946 Metal Channel Support Systems<br>Compliant To LU Standard 1-085 ( For Use On Surface & Sub-Surface Locations) |



All measurements in mm unless otherwise stated