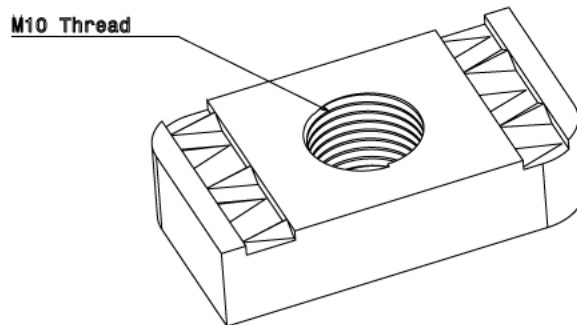
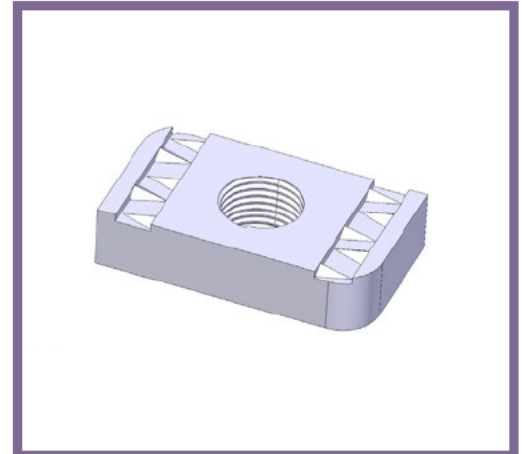


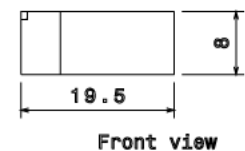
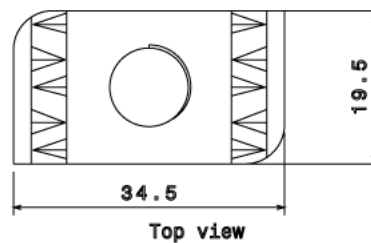
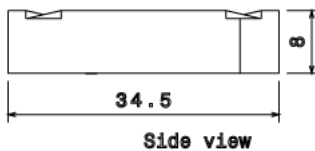


CS22/GA - CHANNEL SPRING NUT

Description	CS22/GA - M10 Plain Spring Nut
Finish	Hot Dipped Galvanised
Material	Steel
Packaging	Packed in qty 100
Additional Notes	For use with 21mm and 41mm Depth Channel Produced to comply with the requirements of BS6946 Metal Channel Support Systems Compliant To LU Standard 1-085 (For Use On Surface & Sub-Surface Locations)



Isometric view



All measurements in mm unless otherwise stated