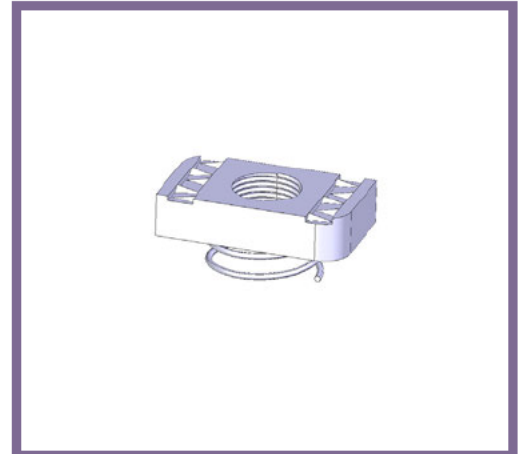


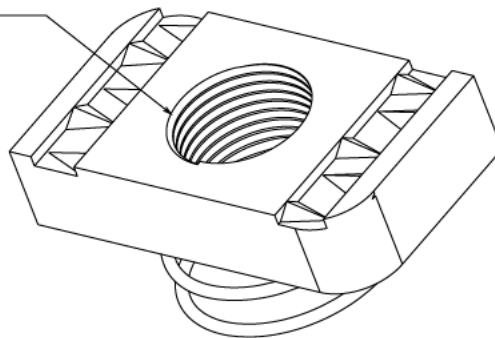


## CS27/GA - CHANNEL SPRING NUT

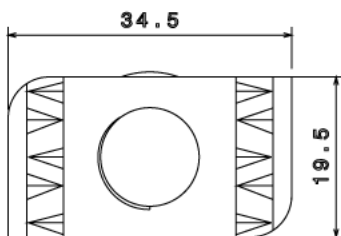
<b>Description</b>	CS27/GA - M12 Short Spring Nut
<b>Finish</b>	Hot Dipped Galvanised
<b>Material</b>	Steel
<b>Packaging</b>	Packed in qty 100
<b>Additional Notes</b>	For use with 21mm Depth Channel Produced to comply with the requirements of BS6946 Metal Channel Support Systems Compliant To LU Standard 1-085 ( For Use On Surface & Sub-Surface Locations)



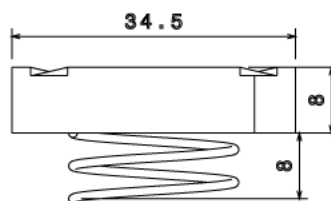
M12 Thread



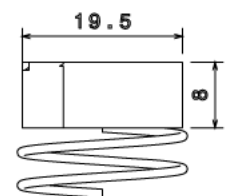
Isometric view



Top view



Side view



Front view

All measurements in mm unless otherwise stated