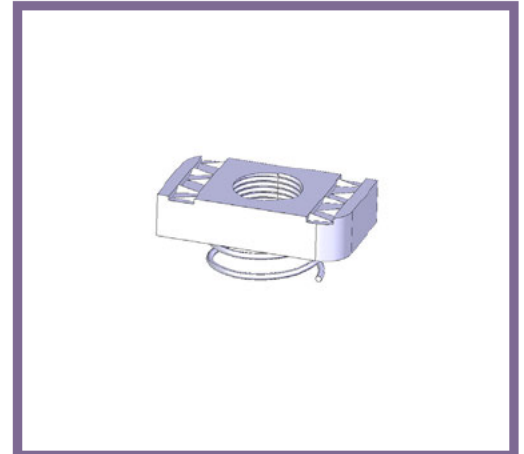


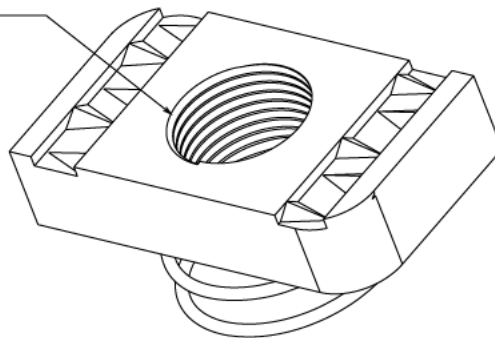


CS27 - CHANNEL SPRING NUT

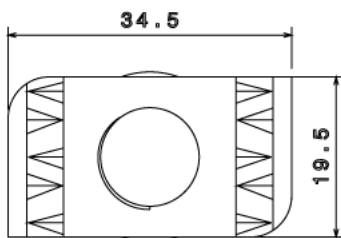
Description	CS27 - M12 Short Spring Nut
Finish	Bright Zinc Plated - Also available in Hot Dip Galvanised (GA) and Stainless Steel (SS)
Material	Steel
Packaging	Packed in qty 100
Additional Notes	For use with 21mm Depth Channel Produced to comply with the requirements of BS6946 Metal Channel Support Systems Compliant To LU Standard 1-085 (For Use On Surface & Sub-Surface Locations)



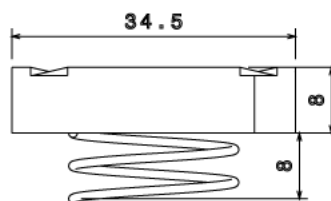
M12 Thread



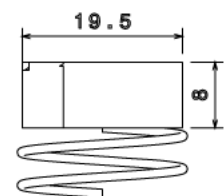
Isometric view



Top view



Side view



Front view

All measurements in mm unless otherwise stated