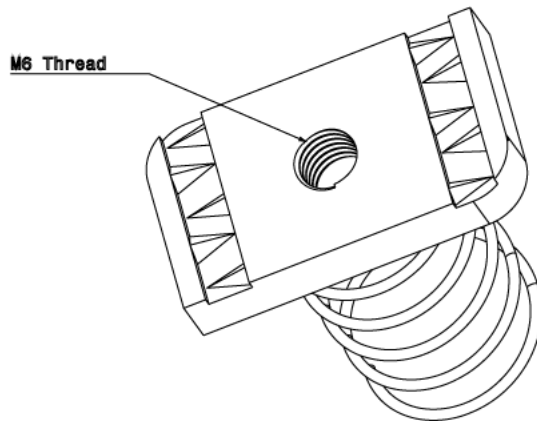
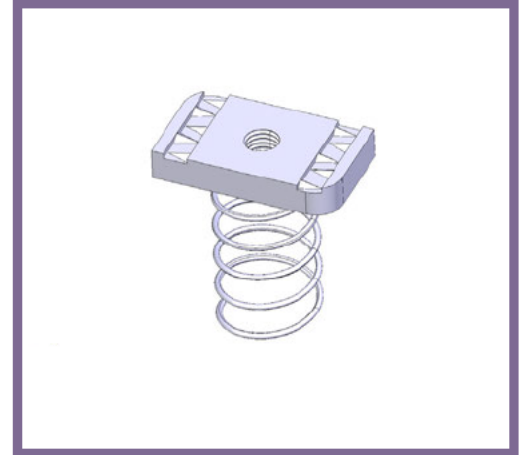


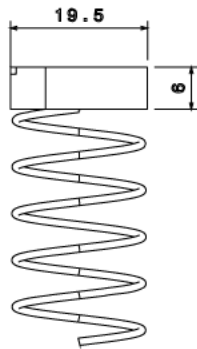


CS28/GA - CHANNEL SPRING NUT

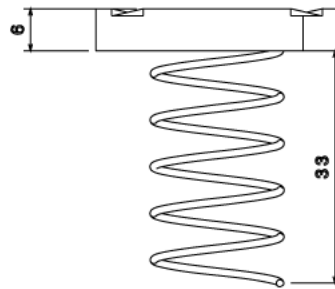
Description	CS28/GA - M6 Long Spring Nut
Finish	Hot Dipped Galvanised
Material	Steel
Packaging	Packed in qty 100
Additional Notes	For use with 41mm Depth Channel Produced to comply with the requirements of BS6946 Metal Channel Support Systems Compliant To LU Standard 1-085 (For Use On Surface & Sub-Surface Locations)



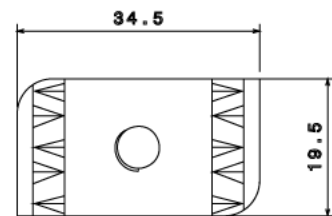
Isometric view



Front view



Side view



Top view

All measurements in mm unless otherwise stated