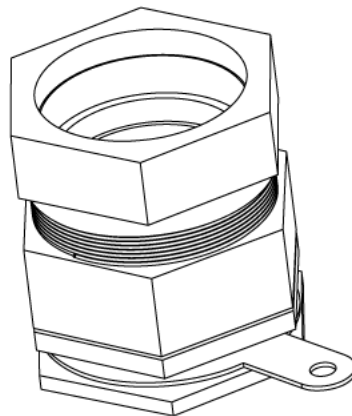
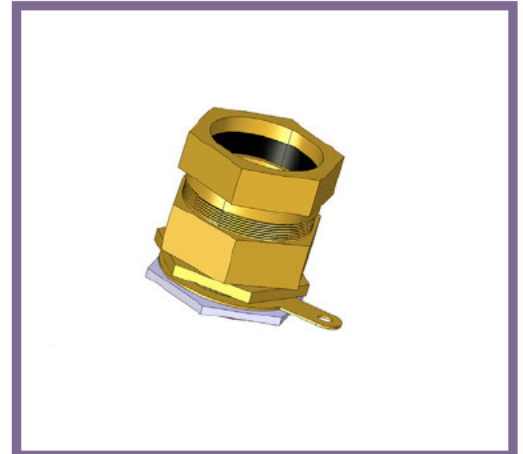


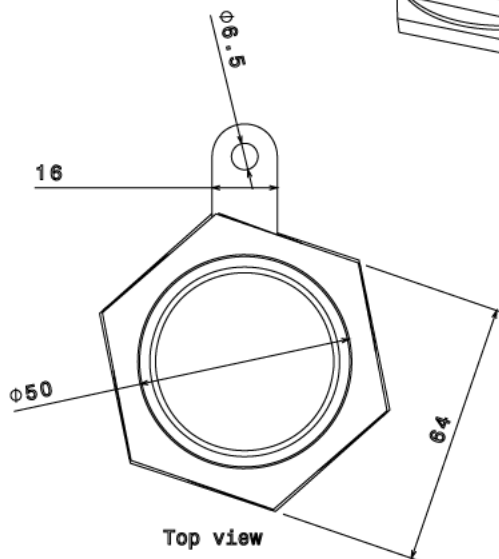


CW50 - CABLE GLAND KIT

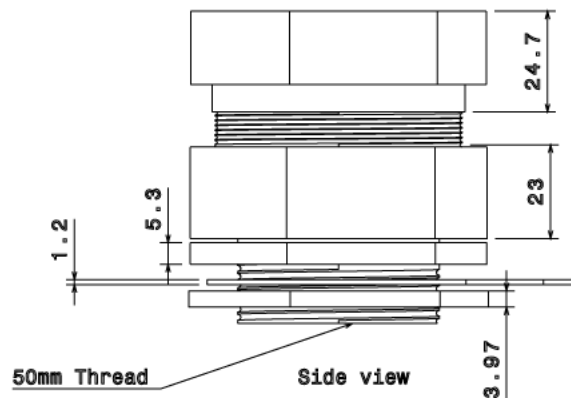
| | |
|-------------------------|--|
| Description | CW50 - 50mm Cable Gland Kit |
| Finish | Self Colour |
| Material | Brass |
| Packaging | Supplied in individual kits |
| Additional Notes | Kit comprises of 1 Gland c/w Seal, 1 Shroud, 1 Tag and 1 Locknut CW Glands are designed for internal & external application |



Isometric view



Top view



Side view

All measurements in mm unless otherwise stated