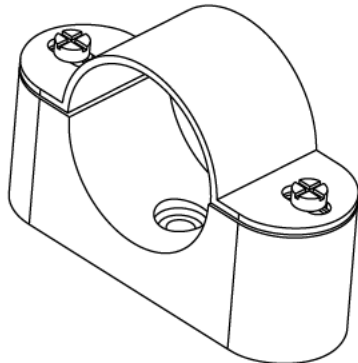
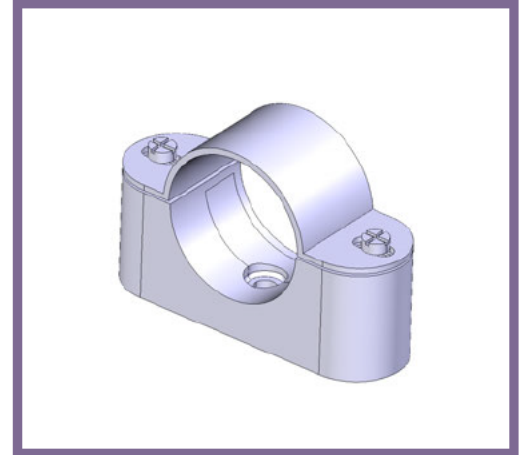


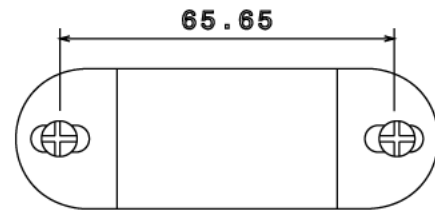


DS4 - DISTANCE SADDLE

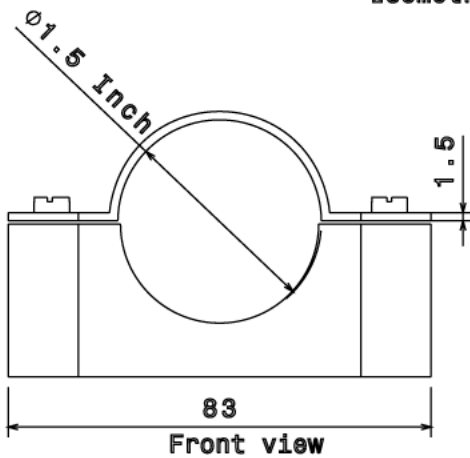
Description	DS4G / B - 1½" Distance Saddle
Finish	Galvanised (G) or Black Enamel (B)
Material	Cast Body , Pressed Steel Strap
Packaging	Packed in qty 25
Additional Notes	Comprises of Body, Strap and 2 screws Compliant to LU Standard 1-085 (for use on surface & sub-surface locations)



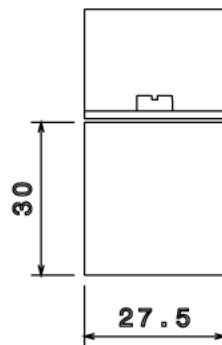
Isometric view



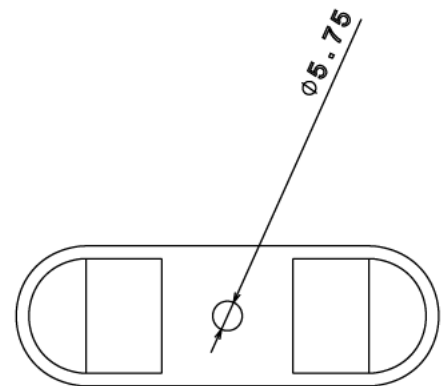
Top view



Front view



Side view



Bottom view

All measurements in mm unless otherwise stated