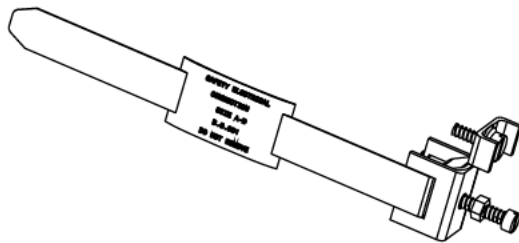
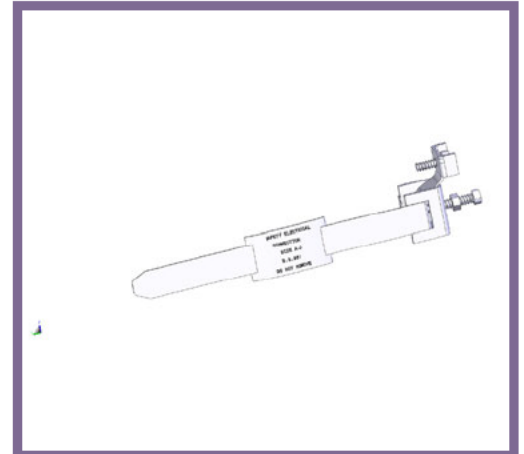


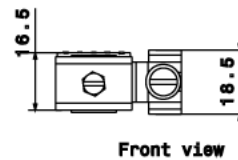


## EC14 - EARTH CLAMP

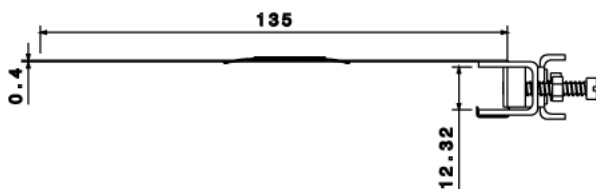
<b>Description</b>	EC14 - Earth Clamp (suitable for internal use only)
<b>Finish</b>	Nickel Plated
<b>Material</b>	Brass
<b>Packaging</b>	Packed in qty 25
<b>Additional Notes</b>	Suitable for Pipe Diameter 12 - 32mm - Strap length 6" ( 150mm) Comprises of Clamp Body, 6" Strap and Tag



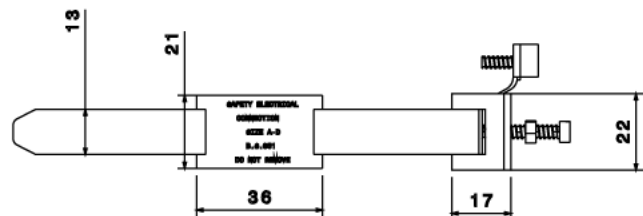
Isometric view



Front view



Side view



Top view

All measurements in mm unless otherwise stated