



## ET2 - MALLEABLE CONDUIT BOX

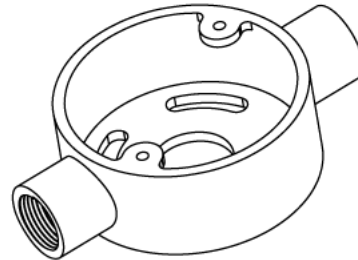
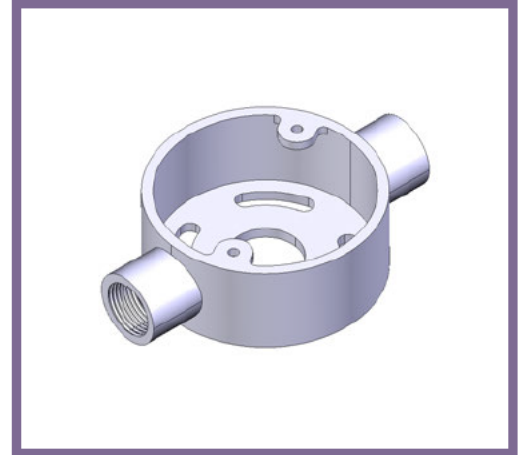
**Description** ET2G / B - 20mm Through Extension Malleable Conduit Box

**Finish** Galvanised (G) or Black Enamel (B)

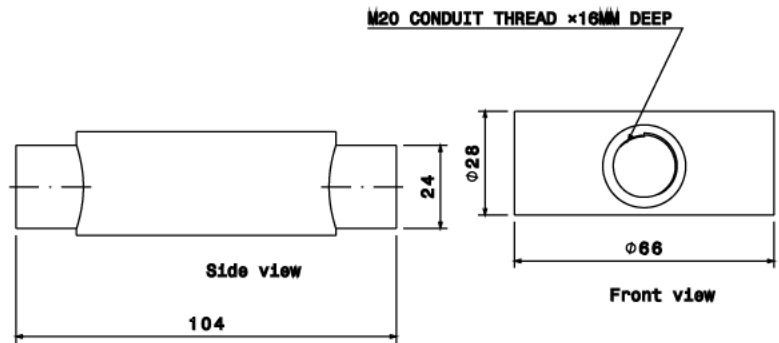
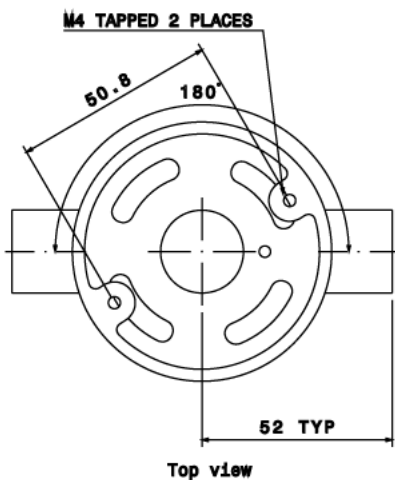
**Material** Malleable Iron

**Packaging** Packed in qty 10

**Additional Notes** Compliant to LU Standard 1-085  
(For use on surface & sub-surface locations)



Isometric view



All measurements in mm unless otherwise stated