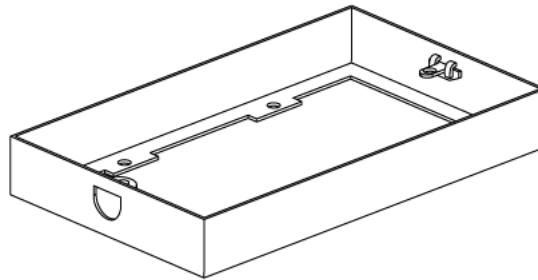
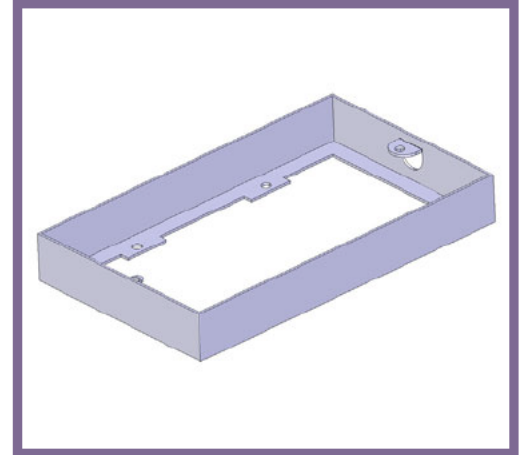




## EWS10 - SWITCH & SOCKET BOX

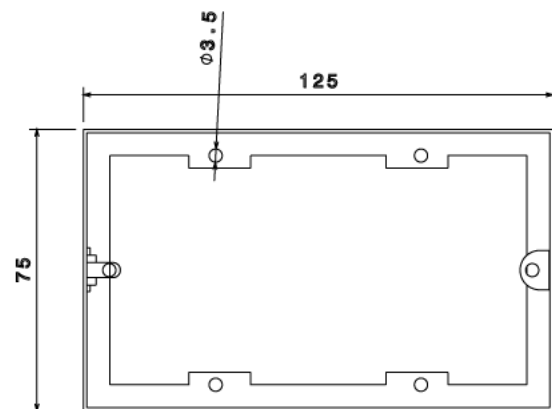
<b>Description</b>	EWS10 - 16mm Extension Switch & Socket Box
<b>Finish</b>	Pre Galvanised
<b>Material</b>	Sheet steel to comply with BS4667
<b>Packaging</b>	Packed in qty 10
<b>Additional Notes</b>	Comprises of Body and Earth Terminal with screw 1 fixed lugs and 1 adjustable lug , 20mm Knockouts Compliant To BS4662 & LU Standard 1-085 (For Use On Surface & Sub-Surface Locations)



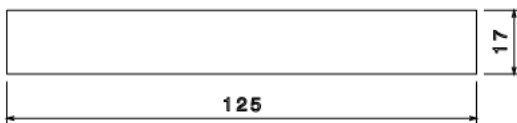
Isometric view



Front view



Top view



side view

All measurements in mm unless otherwise stated