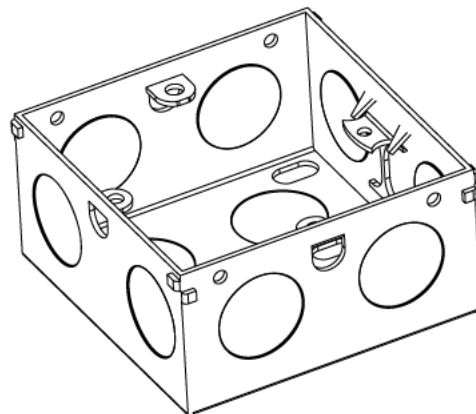
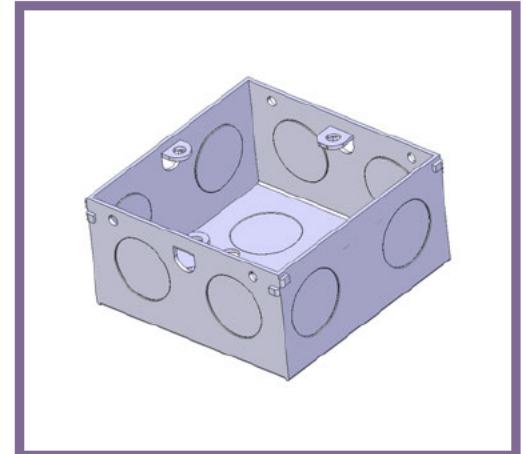


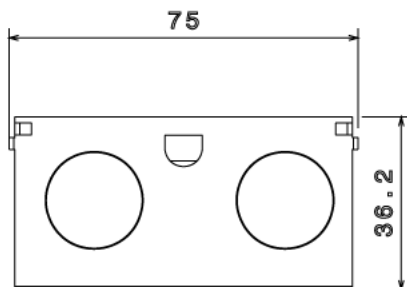


## EWS4 - SWITCH & SOCKET BOX

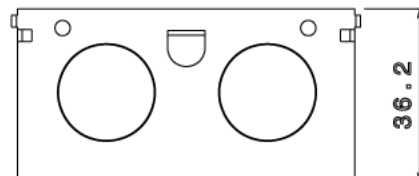
|                         |  |
|-------------------------|--|
| <b>Description</b>      | EWS4 - 35mm 1 Gang Switch & Socket Box   |
| <b>Finish</b>           | Pre Galvanised   |
| <b>Material</b>         | Sheet steel to comply with BS4666  |
| <b>Packaging</b>        | Packed in qty 10   |
| <b>Additional Notes</b> | Comprises of Body and Earth Terminal with screw<br>3 fixed lugs and 1 adjustable lug , 20mm Knockouts<br>Compliant To BS4662 & LU Standard 1-085 (For Use On<br>Surface & Sub-Surface Locations) |



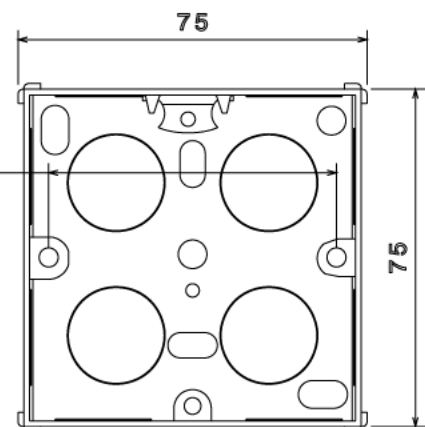
Isometric view



Front view



Side view



Top view

All measurements in mm unless otherwise stated