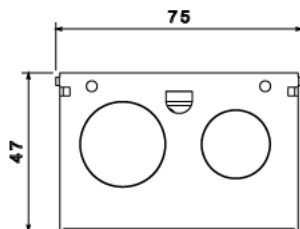
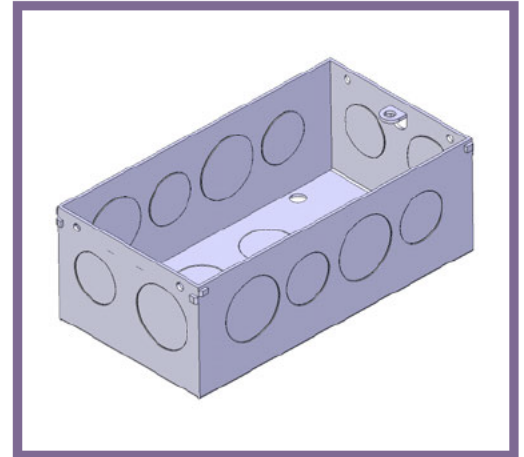


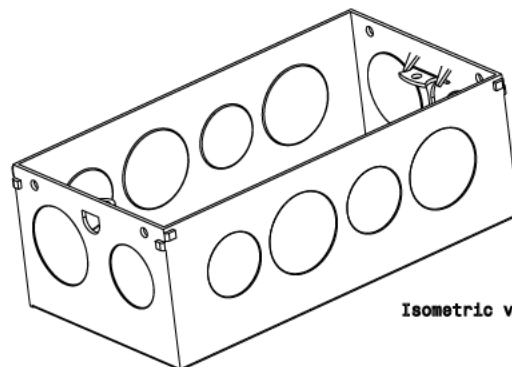


EWS8 - SWITCH & SOCKET BOX

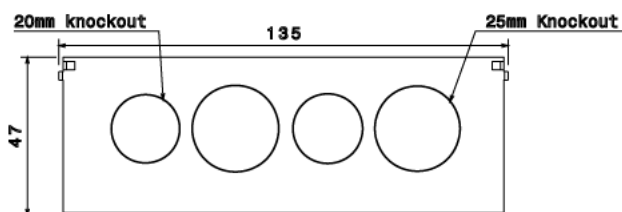
Description	EWS8 - 47mm 2 Gang Switch & Socket Box
Finish	Pre Galvanised
Material	Sheet steel to comply with BS4671
Packaging	Packed in qty 5
Additional Notes	Comprises of Body and Earth Terminal with screw 1 fixed lug and 1 adjustable lug , 20mm & 25mm Knockouts Compliant To BS4662 & LU Standard 1-085 (For Use On Surface & Sub-Surface Locations)



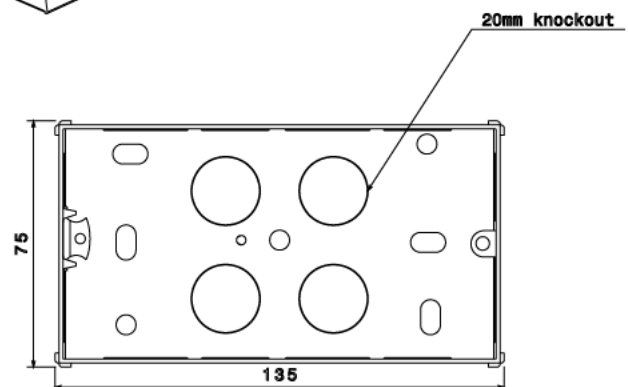
Front view



Isometric view



Side view



Top view

All measurements in mm unless otherwise stated