



HFN10 - HEXAGON FULL NUT

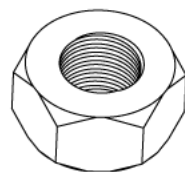
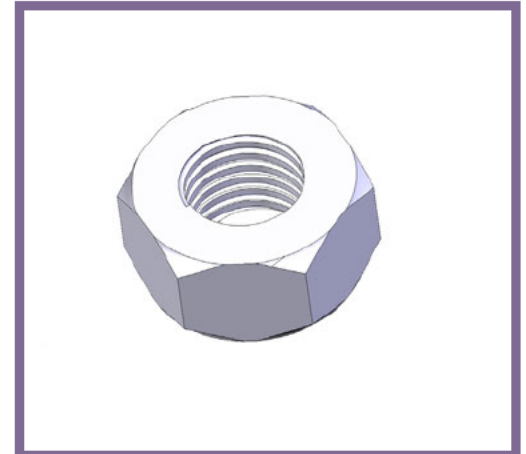
Description HFN10 - M10 Hexagon Full Nut

Finish BZP

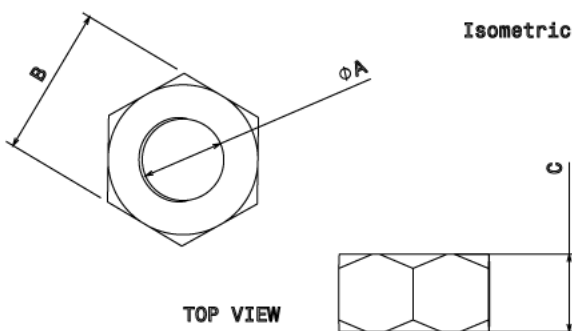
Material Steel

Packaging Packed in qty 100

Additional Notes



Isometric view



TOP VIEW

SIDE VIEW

| CODE | A | B | C |
|-------|-----|-------|------|
| HFN6 | M6 | 9.8 | 5.1 |
| HFN8 | M8 | 12.8 | 6.30 |
| HFN10 | M10 | 16.75 | 7.80 |
| HFN12 | M12 | 18.8 | 9.75 |

All measurements in mm unless otherwise stated