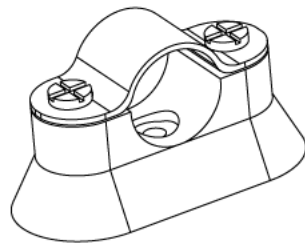
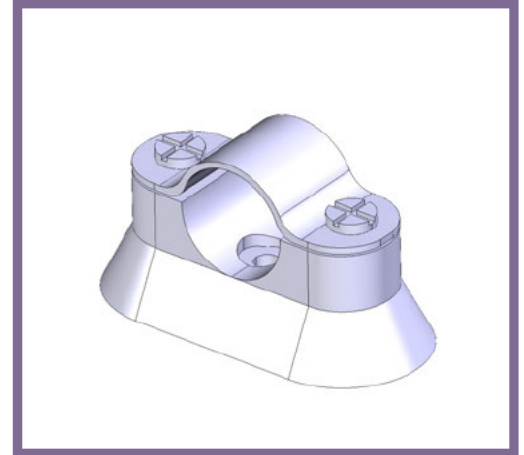


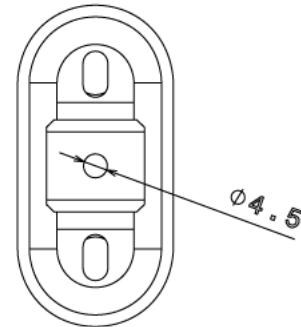


HOSP1 - HOSPITAL SADDLE

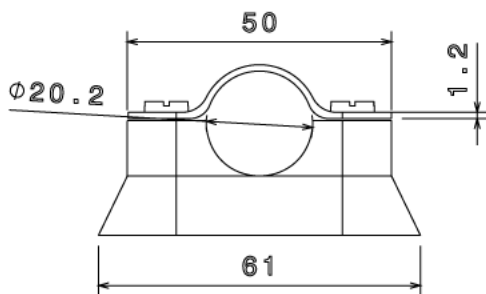
Description	HOSP1G - 20mm Hospital Saddle
Finish	Galvanised
Material	Malleable Iron Body , Pressed Steel Strap
Packaging	Packed in qty 25
Additional Notes	Comprises of Body, Strap and 2 screws Compliant to LU Standard 1-085 (for use on surface & sub-surface locations)



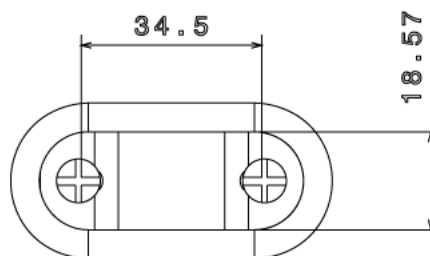
Isometric view



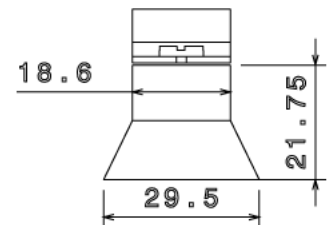
Bottom view



Front view



Top view



Side view

All measurements in mm unless otherwise stated