



HSP3 - HEXAGON STOPPING PLUG

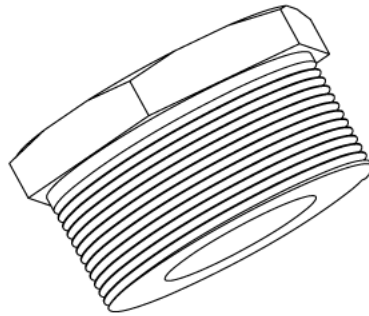
Description HSP3G - 32mm Hexagon Conduit Stopping Plug

Finish BZP

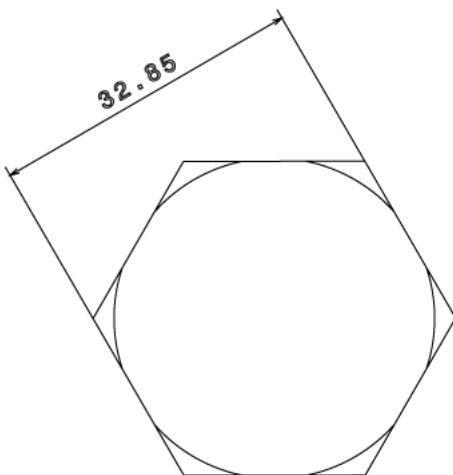
Material Steel

Packaging Packed in qty 25

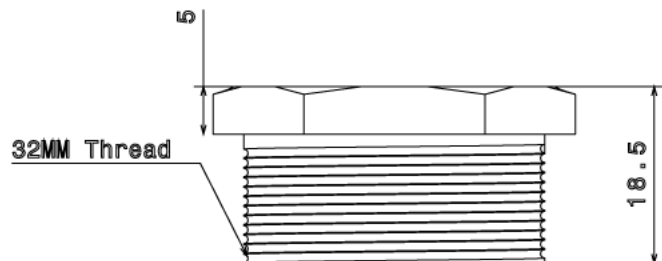
Additional Notes Compliant to LU Standard 1-085
(For use on surface & sub-surface locations)



Isometric view



Top view



Side view

All measurements in mm unless otherwise stated