



JC1 - NO 10 JACK CHAIN

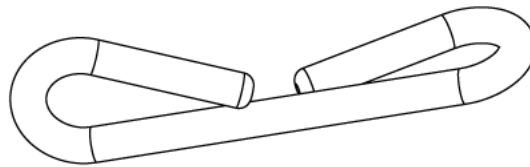
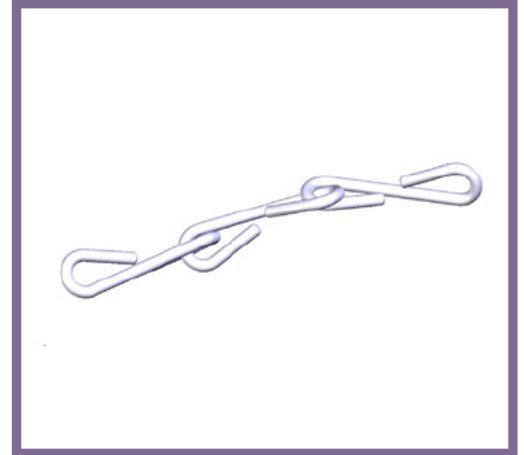
Description JC1 - No10 (3mm) Jack Chain 10mtr length

Finish Galvanised

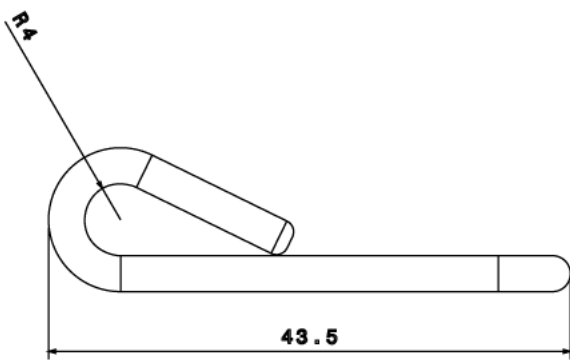
Material Steel

Packaging Packed in qty 1

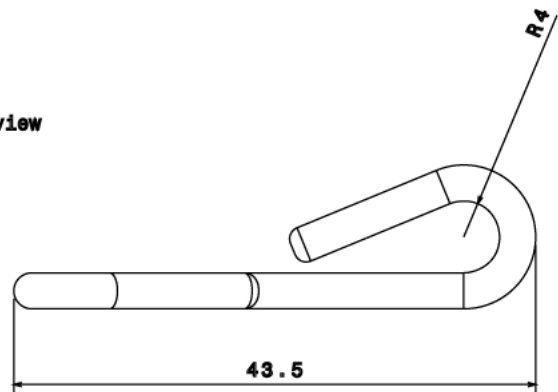
Additional Notes Pack contains 10 mtrs of Chain
Compliant to LU Standard 1-085
(for use on surface & sub-surface locations)



Isometric view



Top view



Side view

All measurements in mm unless otherwise stated