



## LN16 - LOCK NUT

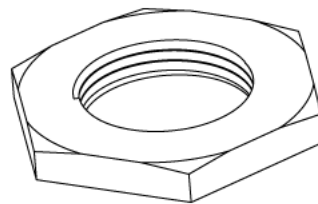
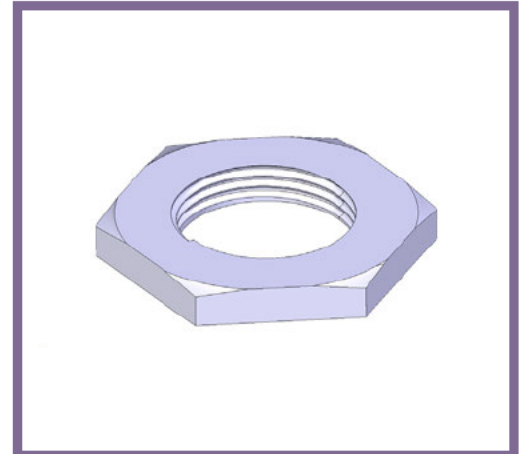
**Description** LN16G - 16mm Lock Nut - Light Pattern

**Finish** BZP

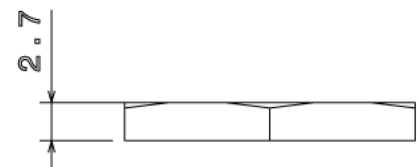
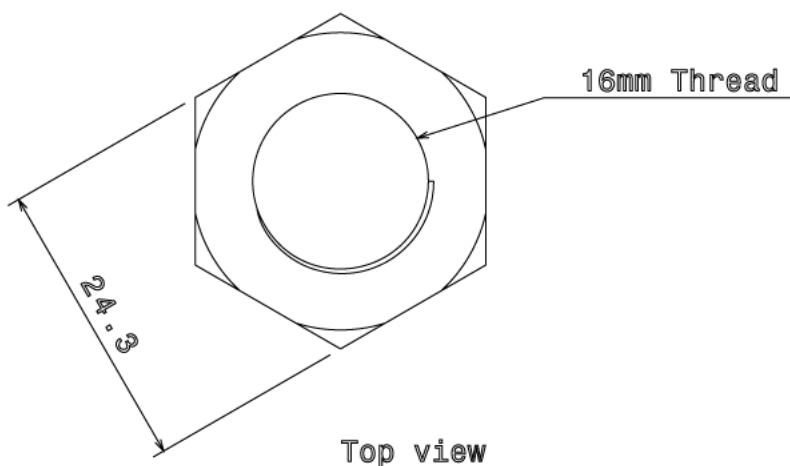
**Material** Steel

**Packaging** Packed in qty 100

**Additional Notes** Compliant to LU Standard 1-085  
(For use on surface & sub-surface locations)



Isometric view



All measurements in mm unless otherwise stated