



LN1 - LOCK NUT

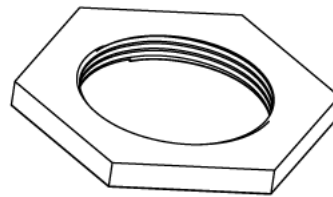
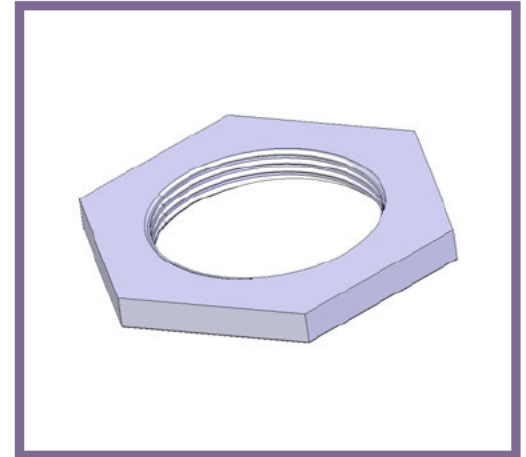
Description LN1G / B - 20mm Lock Nut - Light Pattern

Finish BZP (G) or Black Enamel (B)

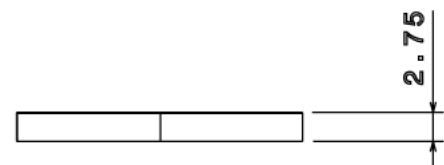
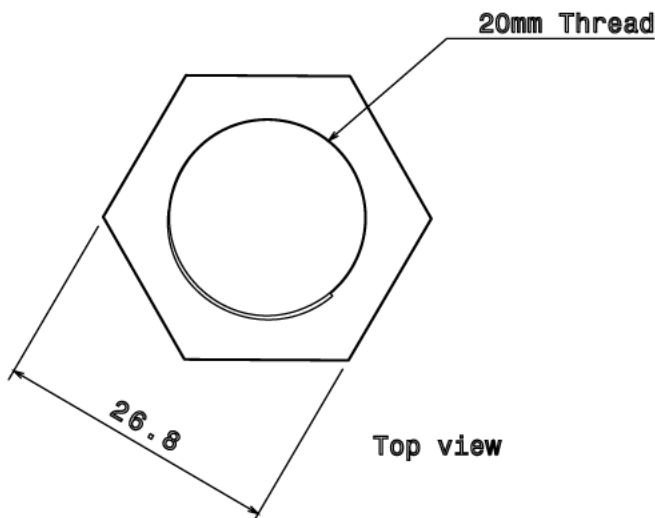
Material Steel

Packaging Packed in qty 100

Additional Notes Compliant to LU Standard 1-085
(For use on surface & sub-surface locations)



Isometric view



All measurements in mm unless otherwise stated