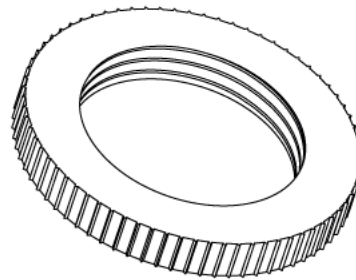
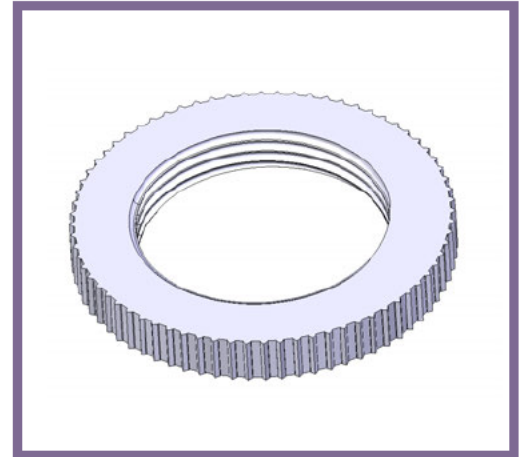




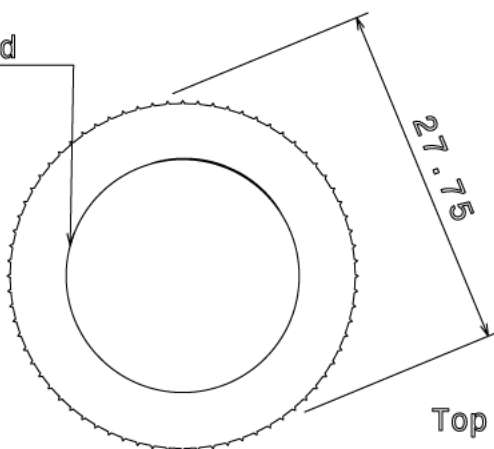
LR1 - MILLED EDGE LOCKRING

Description	LR1 - 20mm Milled Edge Lockring
Finish	BZP
Material	Steel
Packaging	Packed in qty 100
Additional notes	Compliant to LU Standard 1-085 (for use on surface & sub-surface locations)

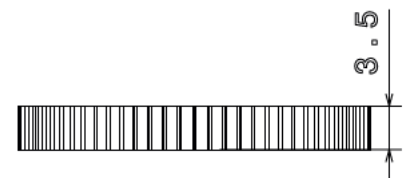


Isometric view

20MM Thread



Top view



Side view

All measurements in mm unless otherwise stated