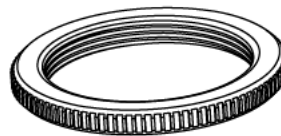
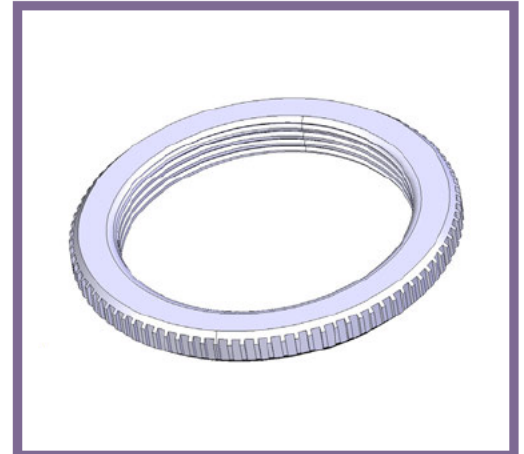


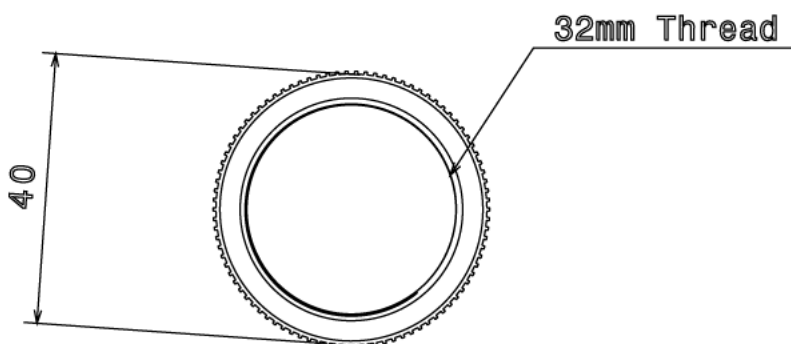


LR3 - MILLED EDGE LOCKRING

Description	LR3 - 32mm Milled Edge Lockring
Finish	BZP
Material	Steel
Packaging	Packed in qty 100
Additional Notes	Compliant to LU Standard 1-085 (For use on surface & sub-surface locations)



Isometric view



Top view



Side view

All measurements in mm unless otherwise stated