



## MB10 - MALLEABLE CONDUIT BOX

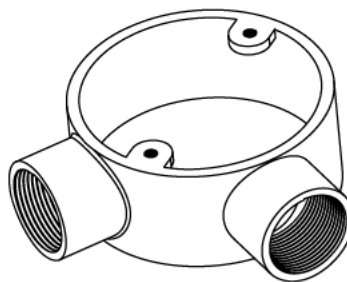
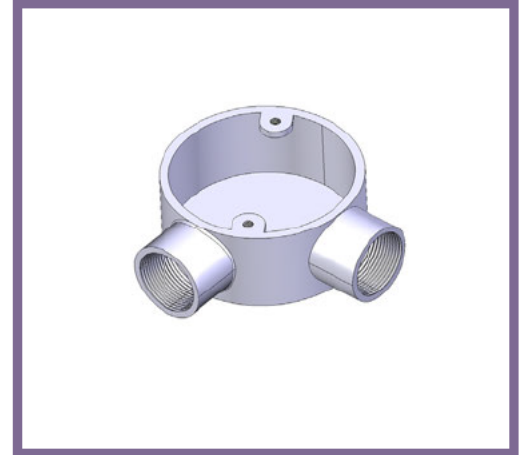
**Description** MB10G / B - 25mm Angle Malleable Conduit Box

**Finish** Galvanised (G) or Black Enamel (B)

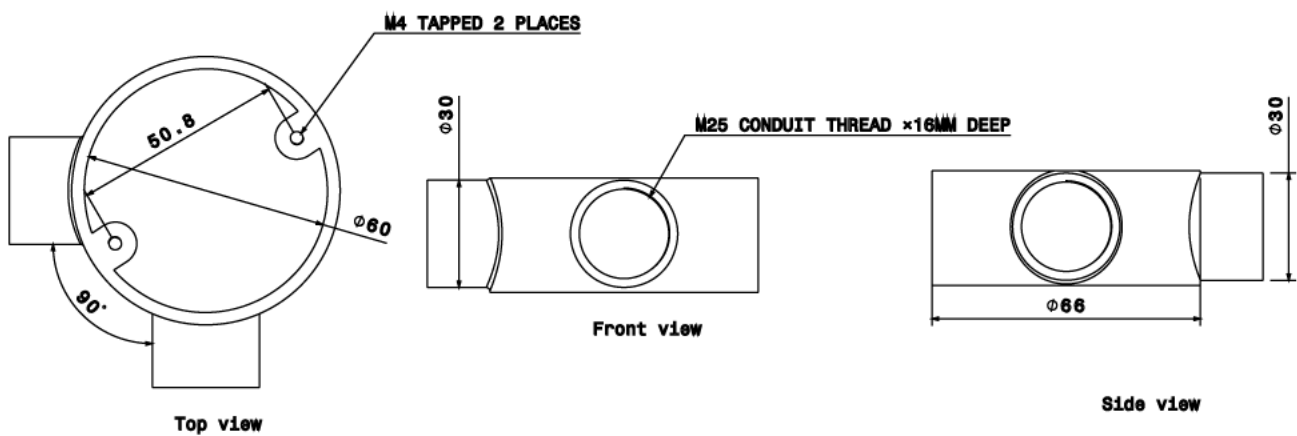
**Material** Malleable Iron

**Packaging** Packed in qty 10

**Additional Notes** Compliant to LU Standard 1-085  
(For use on surface & sub-surface locations)



Isometric view



All measurements in mm unless otherwise stated