



MB21 - MALLEABLE CONDUIT BOX

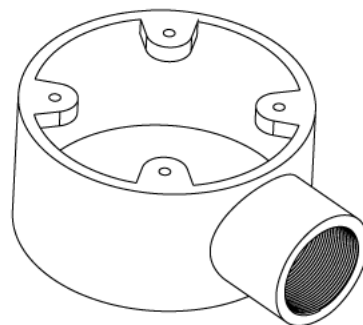
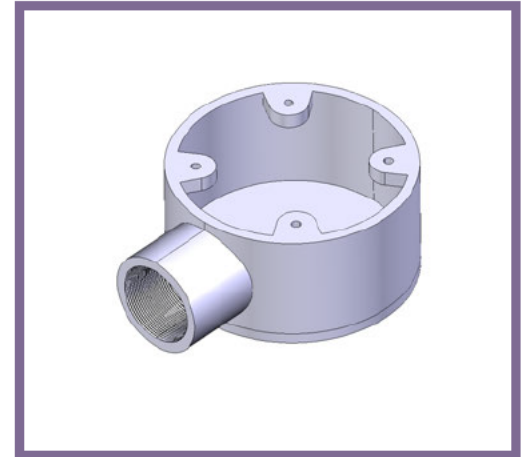
Description MB21G - 32mm Terminal Malleable Conduit Box

Finish Galvanised

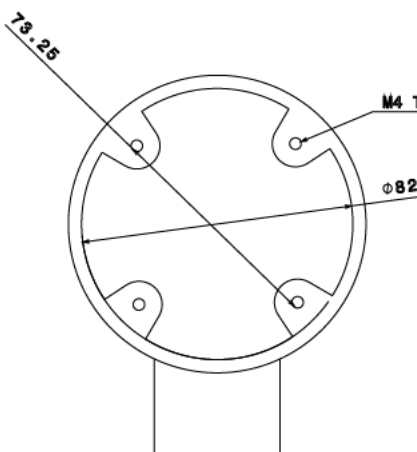
Material Malleable Iron

Packaging Packed in qty 1

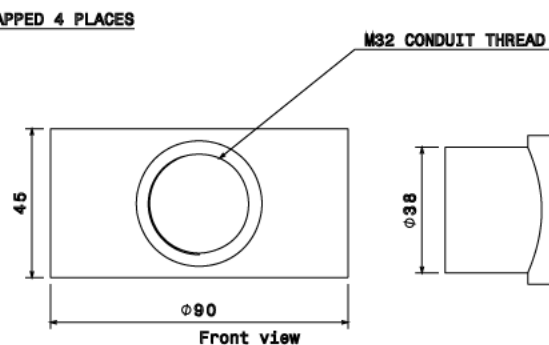
Additional Notes Compliant to LU Standard 1-085
(For use on surface & sub-surface locations)



Isometric view



Top View



Front view



Side view

All measurements in mm unless otherwise stated