



MB24 - MALLEABLE CONDUIT BOX

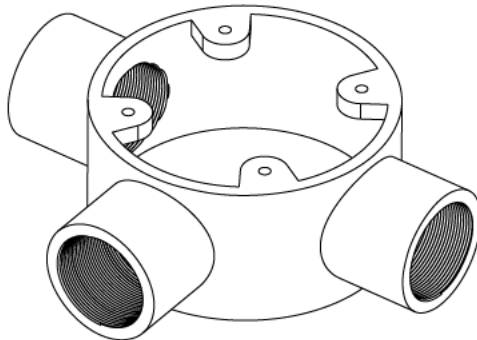
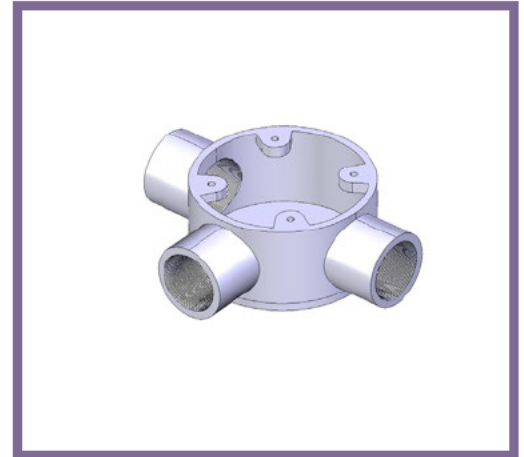
Description MB24G - 32mm Tee Malleable Conduit Box

Finish Galvanised

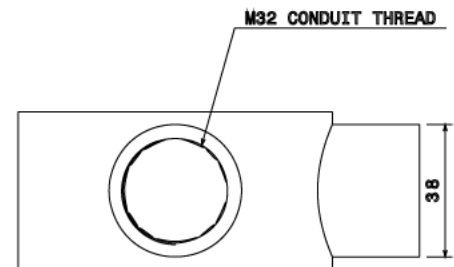
Material Malleable Iron

Packaging Packed in qty 1

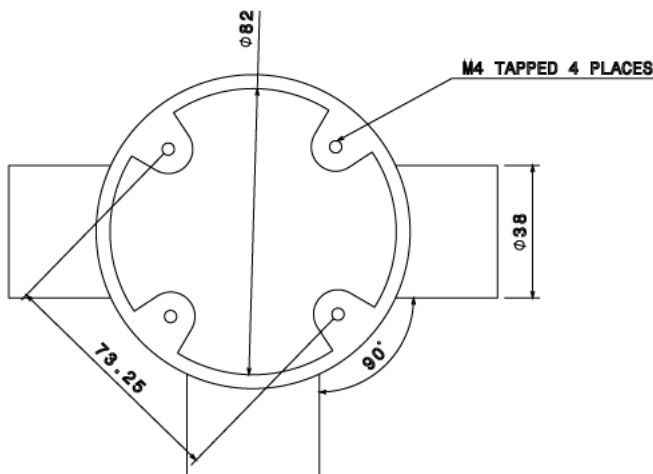
Additional Notes Compliant to LU Standard 1-085
(For use on surface & sub-surface locations)



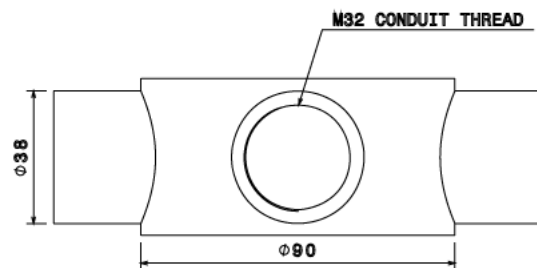
Isometric view



Side view



Top view



Front view

All measurements in mm unless otherwise stated