



MB3 - MALLEABLE CONDUIT BOX

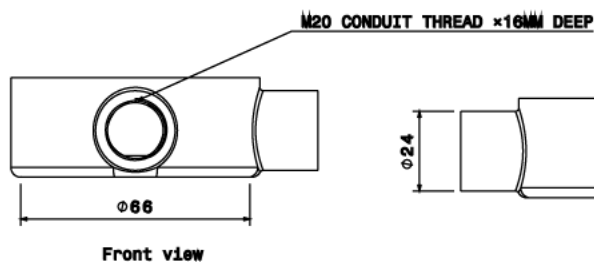
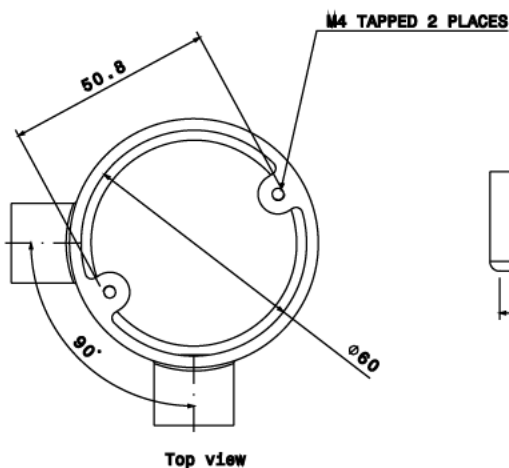
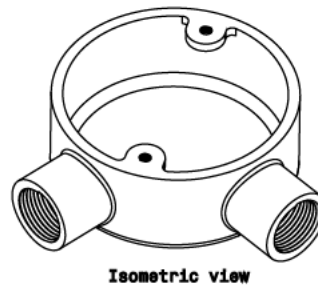
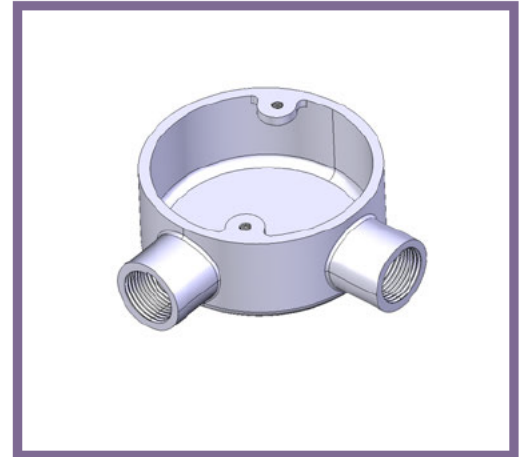
Description MB3G / B - 20mm Angle Malleable Conduit Box

Finish Galvanised (G) or Black Enamel (B)

Material Malleable Iron

Packaging Packed in qty 10

Additional Notes Compliant to LU Standard 1-085
(For use on surface & sub-surface locations)



All measurements in mm unless otherwise stated