



MB6 - MALLEABLE CONDUIT BOX

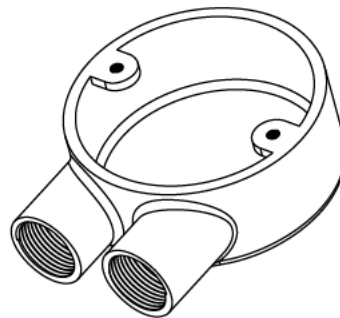
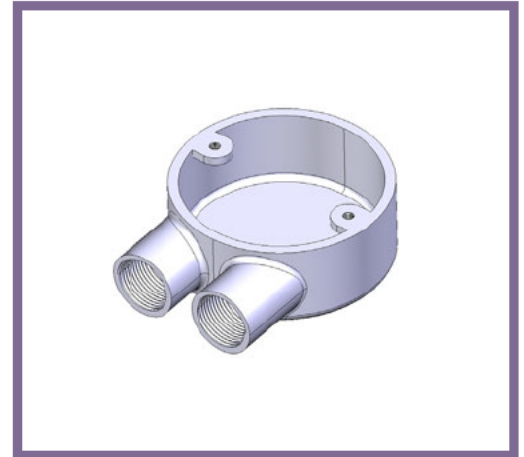
Description MB6G / B - 20mm U Malleable Conduit Box

Finish Galvanised (G) or Black Enamel (B)

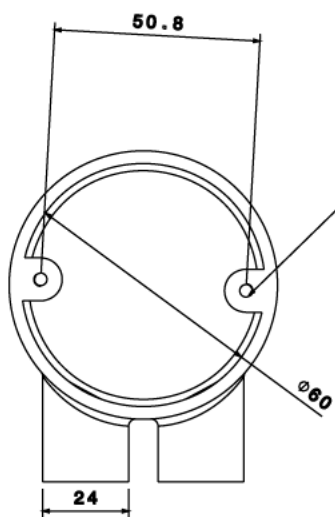
Material Malleable Iron

Packaging Packed in qty 10

Additional Notes Compliant to LU Standard 1-085
(For use on surface & sub-surface locations)



Isometric view



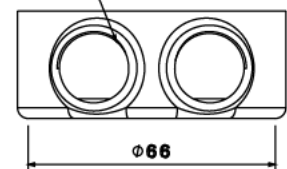
Top view

M4 TAPPED 2 PLACES

M20 CONDUIT THREAD x16MM DEEP



Side view



Front view

All measurements in mm unless otherwise stated