

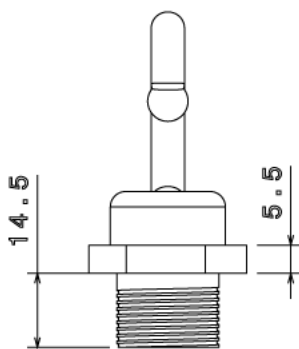


## MHM1 - MALE HOOK

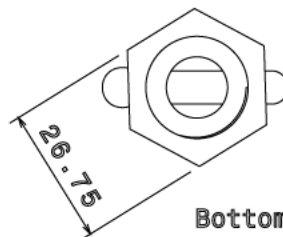
<b>Description</b>	MHM1G / B - 20mm Male Hook
<b>Finish</b>	Galvanised (G) or Black Enamel (B)
<b>Material</b>	Malleable Iron
<b>Packaging</b>	Packed in qty 50
<b>Additional Notes</b>	Compliant to LU Standard 1-085 (For use on surface & sub-surface locations)



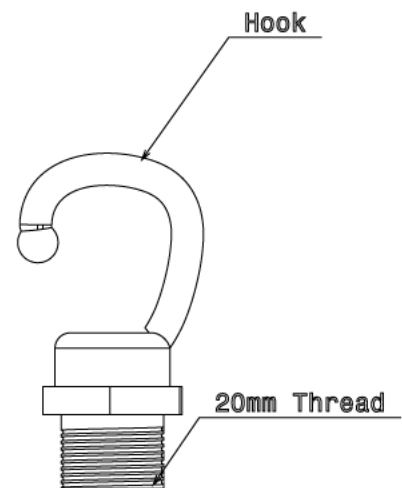
Isometric view



Front view



Bottom view



Side view

All measurements in mm unless otherwise stated