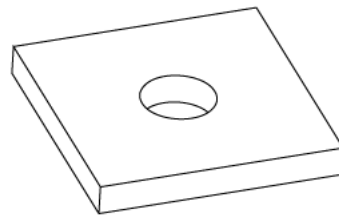
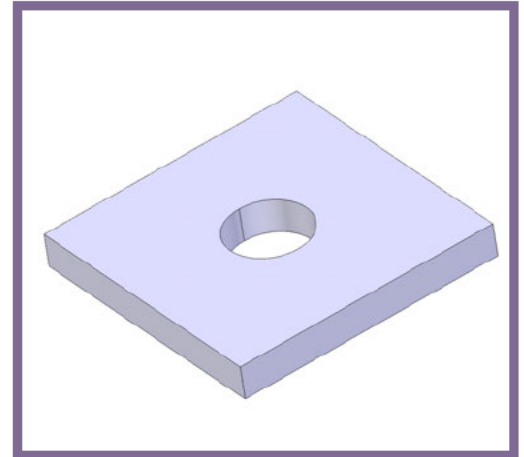


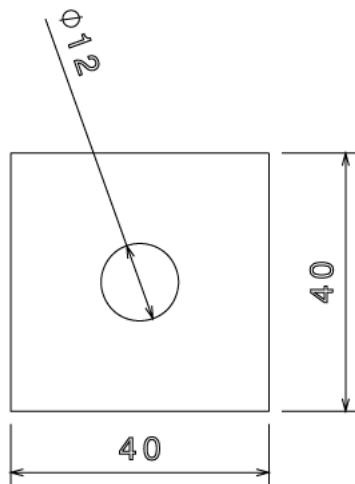


MP1/10 - CHANNEL BRACKET

Description	MP1/10 - Square Plate Washer M10
Finish	Hot Dipped Galvanised
Material	Steel
Packaging	Packed in qty 100
Additional Notes	Compliant to LU Standard 1-085 (For use on surface & sub-surface locations)



Isometric view



Front view



Side view

All measurements in mm unless otherwise stated