



## MP19 - CHANNEL BRACKET

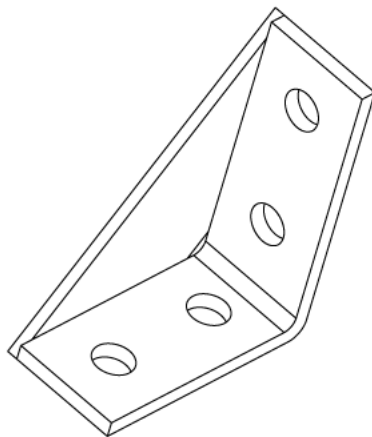
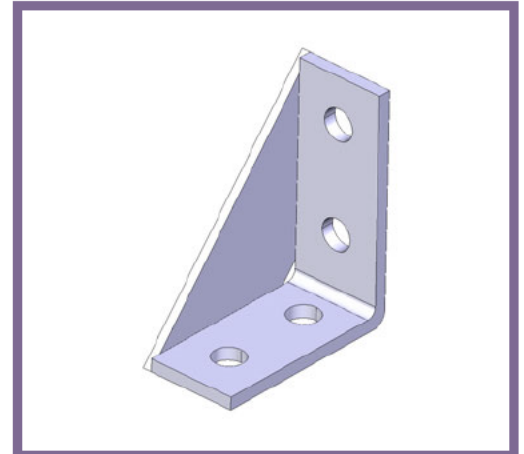
**Description** MP19 - 2 + 2 Hole 90° Gusset Shelf Bracket

**Finish** Hot Dipped Galvanised

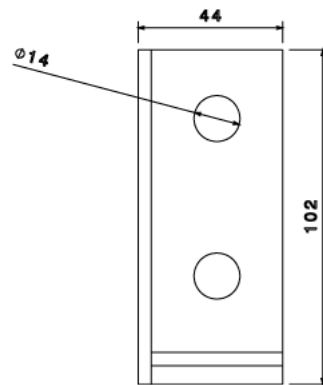
**Material** Steel

**Packaging** Packed in qty 10

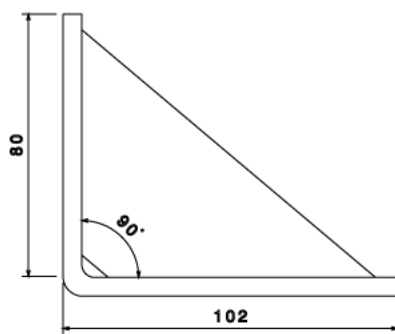
**Additional Notes** Compliant to LU Standard 1-085  
(For use on surface & sub-surface locations)



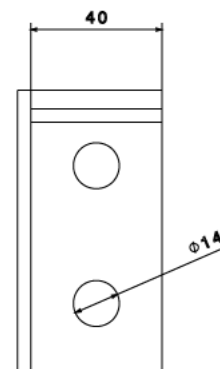
Isometric view



Front view



Side view



Top View

All measurements in mm unless otherwise stated