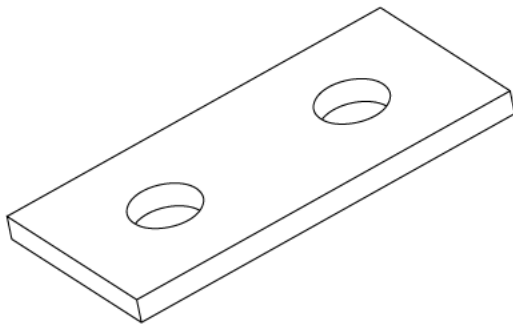
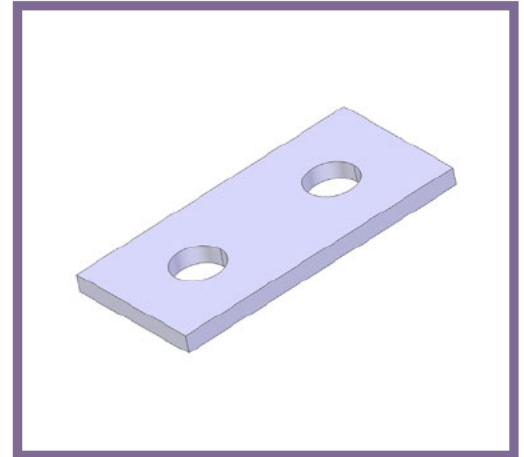


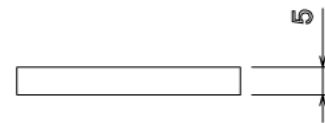


MP2 - CHANNEL BRACKET

Description	MP2 - Splice Plate 2 Hole
Finish	Hot Dipped Galvanised
Material	Steel
Packaging	Packed in qty 50
Additional Notes	Compliant to LU Standard 1-085 (For use on surface & sub-surface locations)



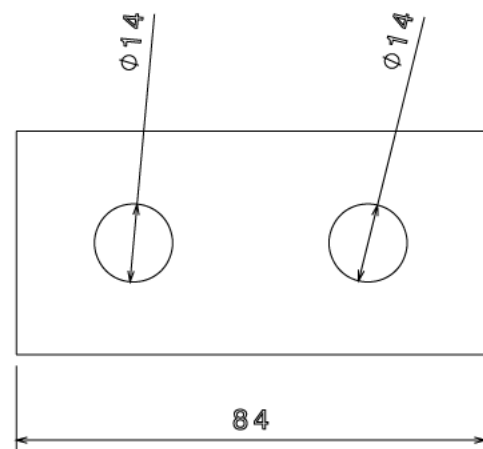
Isometric view



Side view



Side view



Front view

All measurements in mm unless otherwise stated