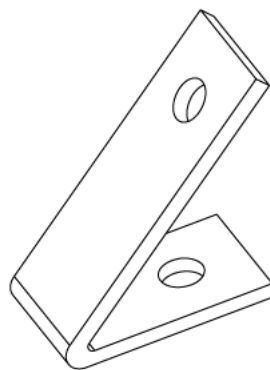
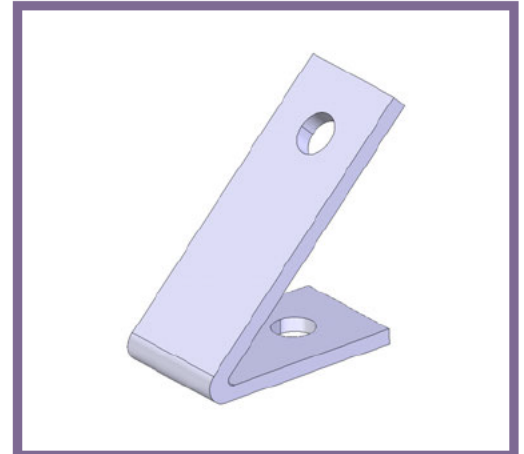


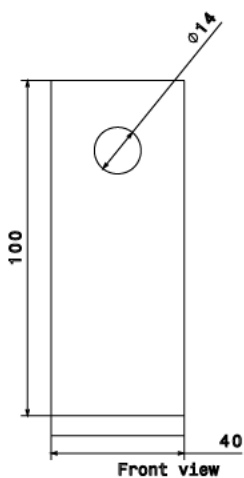


MP23 - CHANNEL BRACKET

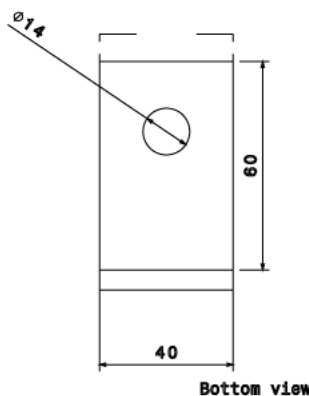
Description	MP23 - 45° Acute Angle Bracket
Finish	Hot Dipped Galvanised
Material	Steel
Packaging	Packed in qty 25
Additional Notes	Compliant to LU Standard 1-085 (For use on surface & sub-surface locations)



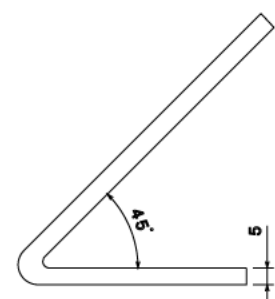
Isometric view



Front view



Bottom view



Side View

All measurements in mm unless otherwise stated