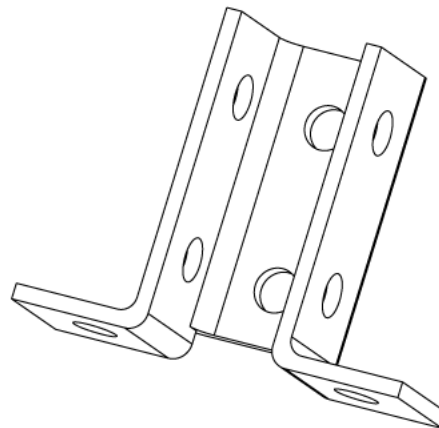
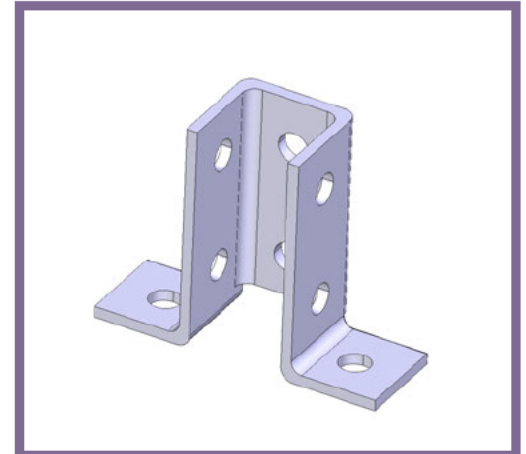


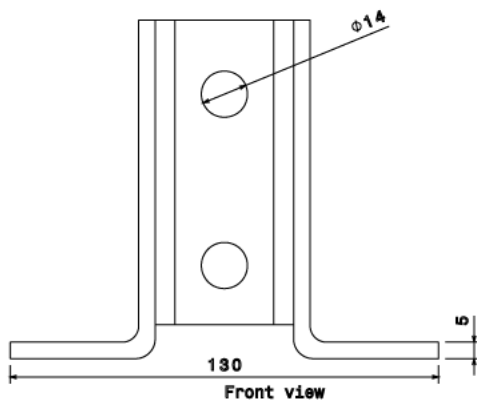


MP32 - CHANNEL BRACKET

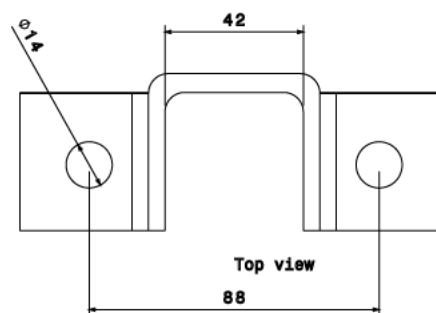
Description	MP32 - 2 Lug Wing Bracket
Finish	Hot Dipped Galvanised
Material	Steel
Packaging	Packed in qty 10
Additional Notes	Compliant to LU Standard 1-085 (For use on surface & sub-surface locations)



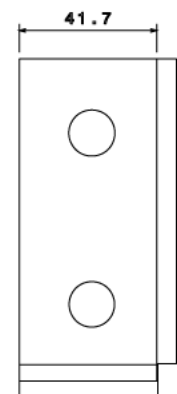
Isometric view



Front view



Top view



Side view

All measurements in mm unless otherwise stated