



## MP37 - CHANNEL BRACKET

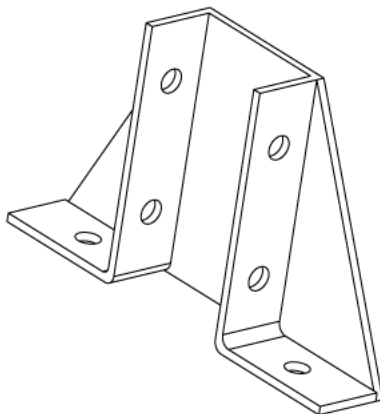
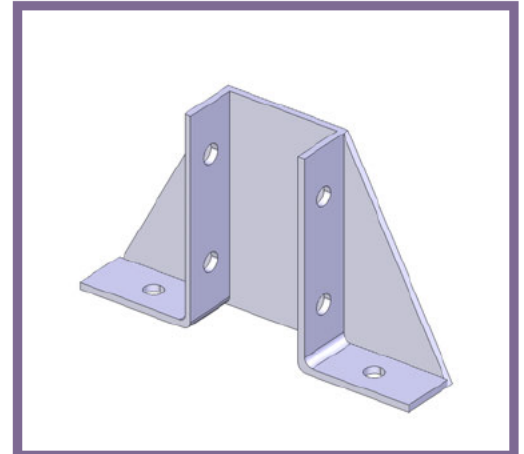
**Description** MP37 - Double Channel Gusset Base Plate

**Finish** Hot Dipped Galvanised

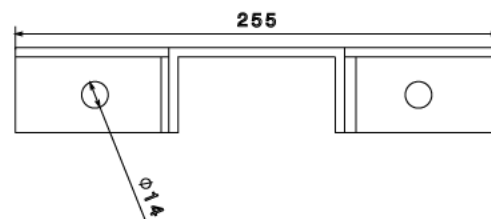
**Material** Steel

**Packaging** Packed in qty 1

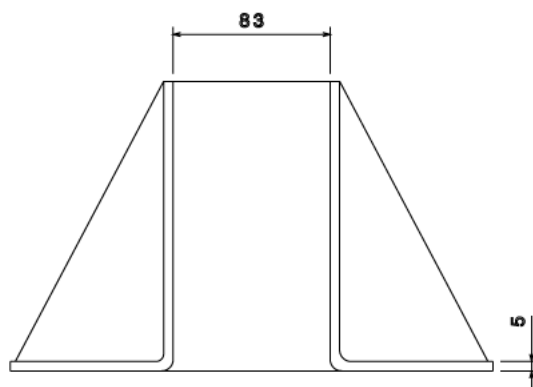
**Additional Notes** Compliant to LU Standard 1-085  
(For use on surface & sub-surface locations)



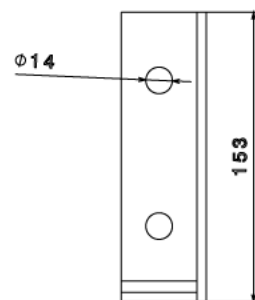
Isometric view



Top View



Front view



Side view

All measurements in mm unless otherwise stated