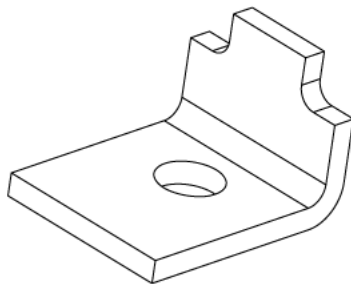
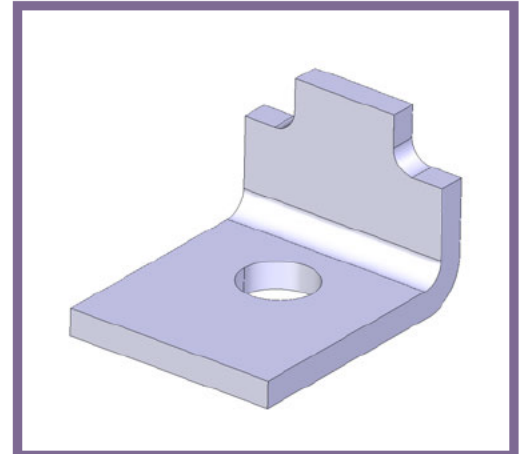


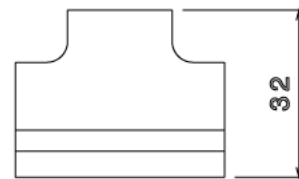


MP38 - CHANNEL BRACKET

Description	MP38 - Toe Beam Clamp
Finish	Hot Dipped Galvanised
Material	Steel
Packaging	Packed in qty 50
Additional Notes	Compliant to LU Standard 1-085 (For use on surface & sub-surface locations)



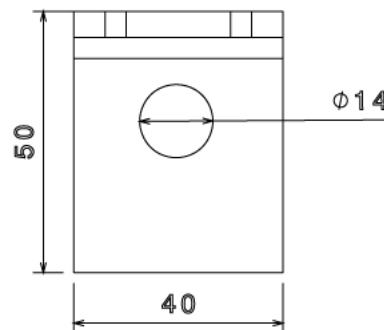
Isometric view



Front view



Side view



Top view

All measurements in mm unless otherwise stated