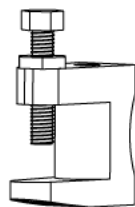
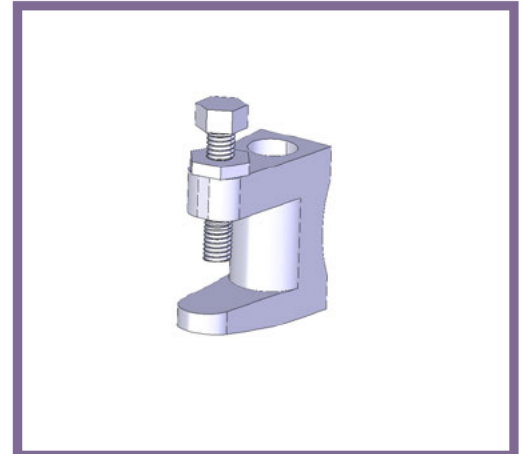


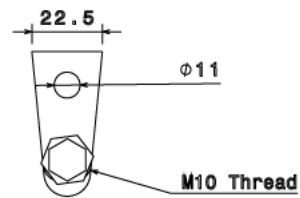


MP44/10 - CHANNEL BRACKET

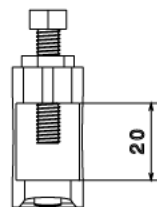
Description	MP44/10 - M10 G Clamp
Finish	Hot Dipped Galvanised
Material	Cast Iron
Packaging	Packed in qty 25
Additional Notes	Consists of G Clamp c/w M10 Bolt and Nut Compliant to LU Standard 1-085 (for use on surface & sub-surface locations)



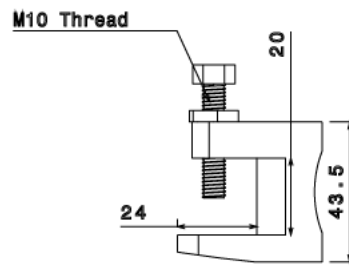
Isometric view



Top view



Front view



Side view

All measurements in mm unless otherwise stated