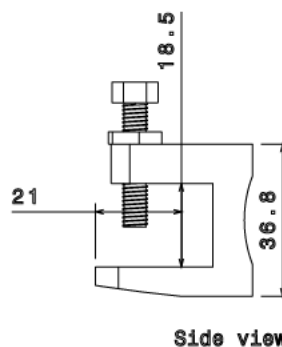
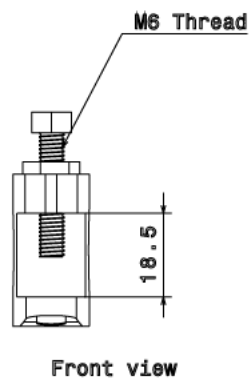
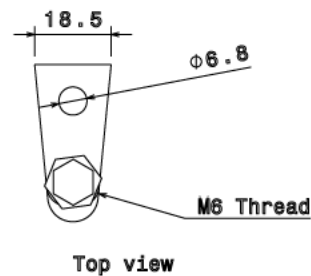
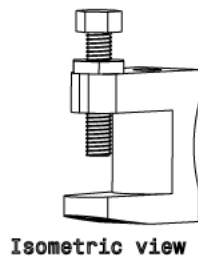
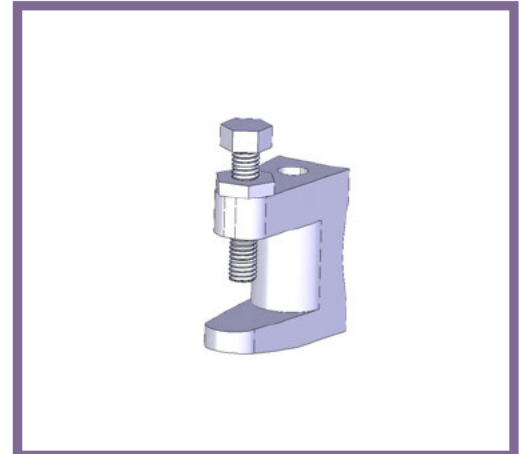




MP44/6 - CHANNEL BRACKET

Description	MP44/6 - M6 G Clamp
Finish	Hot Dipped Galvanised
Material	Cast Iron
Packaging	Packed in qty 50
Additional Notes	Consists of G Clamp c/w M6 Bolt and Nut Compliant to LU Standard 1-085 (for use on surface & sub-surface locations)



All measurements in mm unless otherwise stated