



MP48/41 - CHANNEL BRACKET

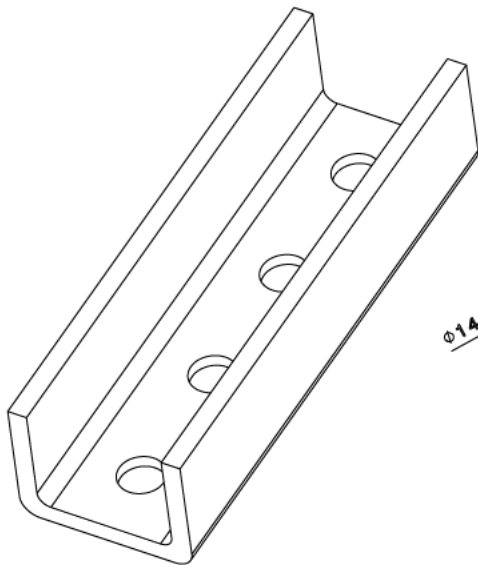
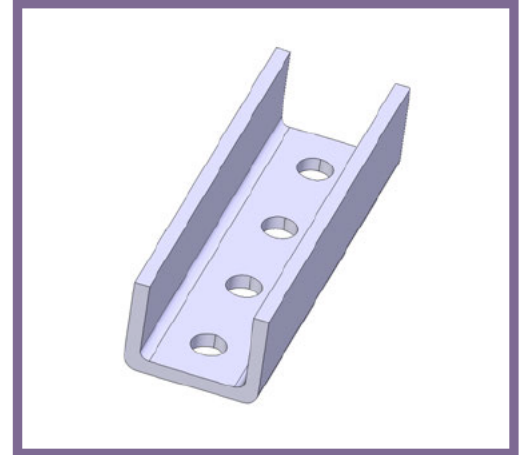
Description MP48/41 - 41mm External Channel Coupler

Finish Hot Dipped Galvanised

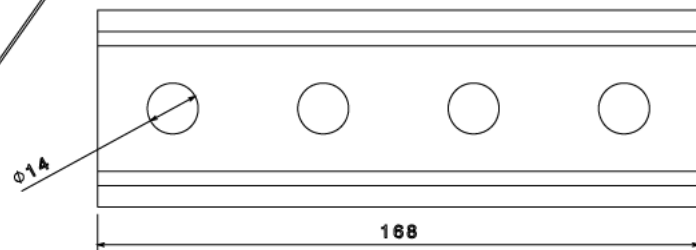
Material Steel

Packaging Packed in qty 10

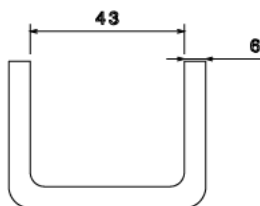
Additional Notes Compliant to LU Standard 1-085
(For use on surface & sub-surface locations)



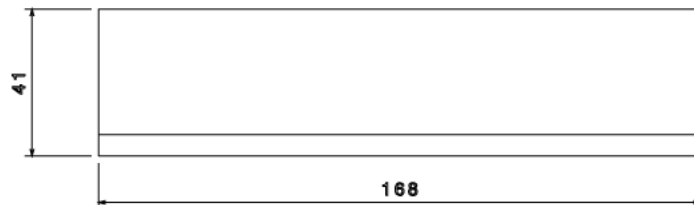
Isometric view



Top view



Front view



Side view

All measurements in mm unless otherwise stated