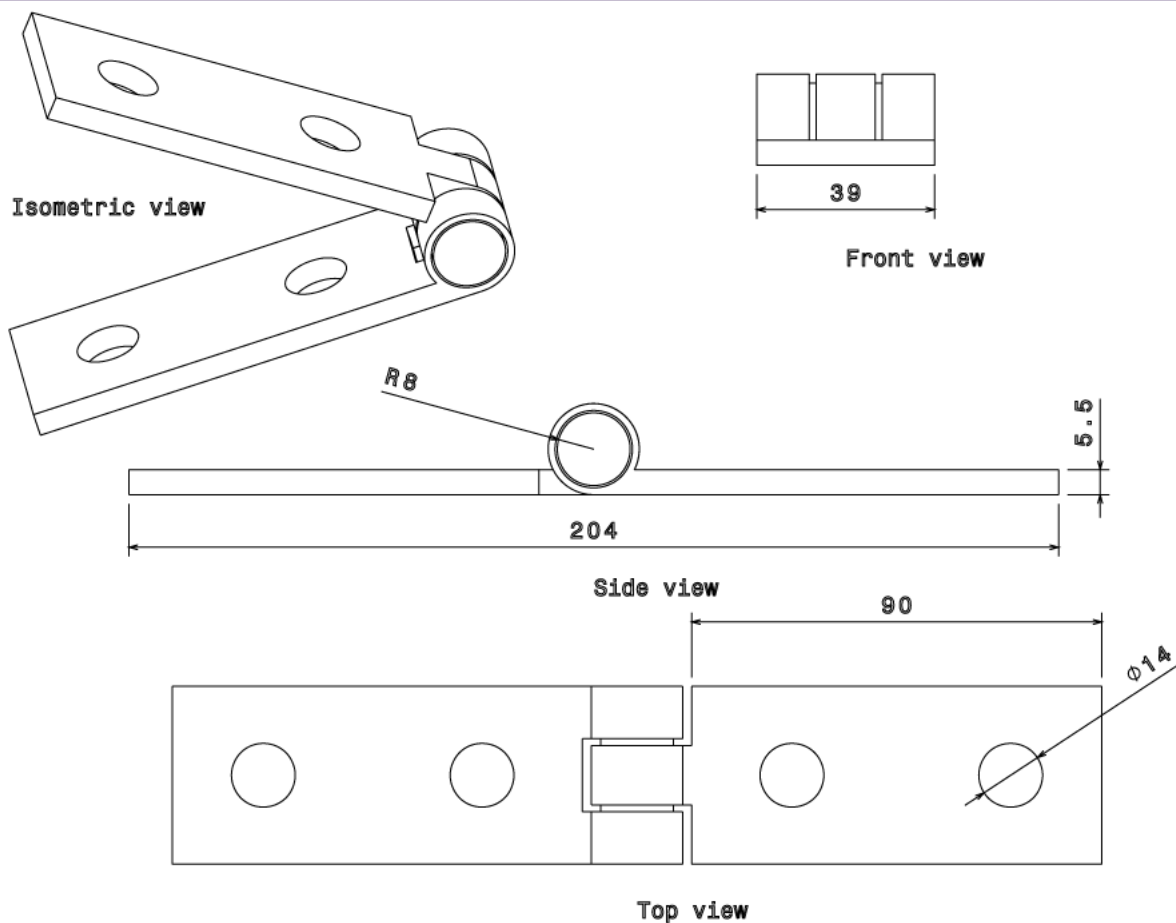
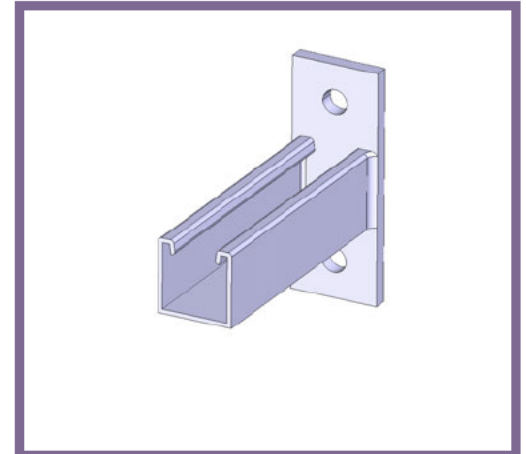




MP8 - CHANNEL BRACKET

Description	MP8 - 1 + 1 Hole 90° Bracket
Finish	Hot Dipped Galvanised
Material	Steel
Packaging	Supplied individually
Additional Notes	Compliant to LU Standard 1-085 (For use on surface & sub-surface locations)



All measurements in mm unless otherwise stated