



## PAM20 - PVC CONDUIT ACCESSORIES

**Description** PAM20W / B - 20mm Male Adaptor

**Finish** White (W) Black (B)

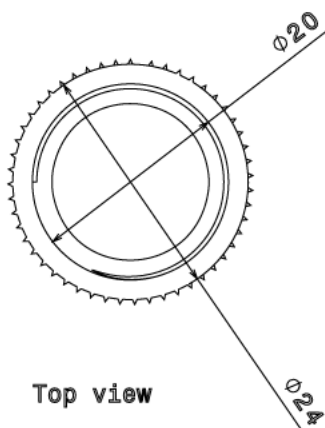
**Material** PVC

**Packaging** Packed in qty 100

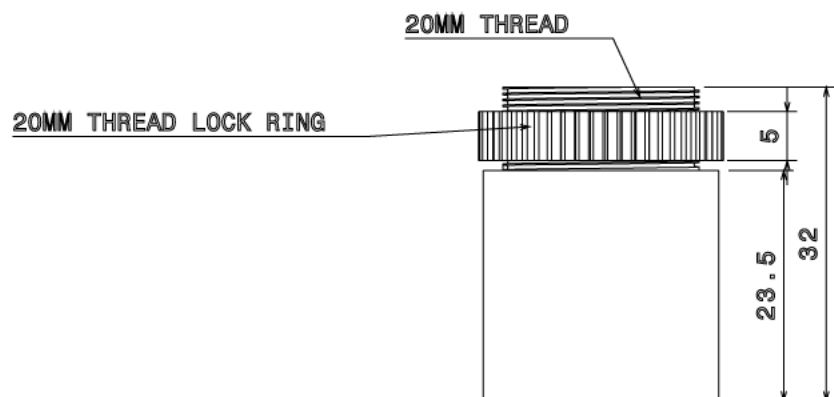
**Additional Notes** Manufactured to BS4607 part 1



Isometric view



Top view



side view

All measurements in mm unless otherwise stated