



PIB25 - PVC CONDUIT INSPECTION BEND

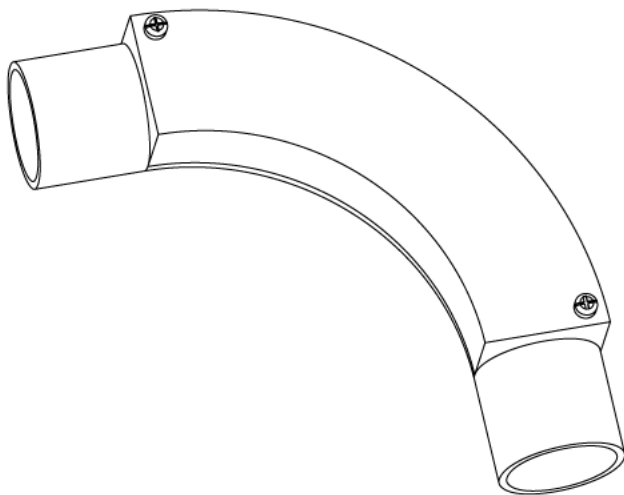
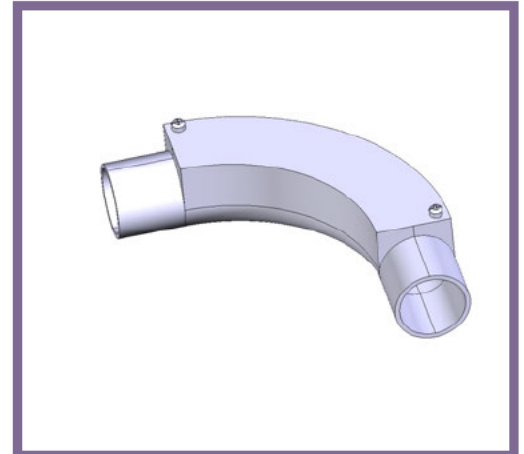
Description PIB25W / B - PVC 25mm Conduit Inspection Bend

Finish White (W) Black (B)

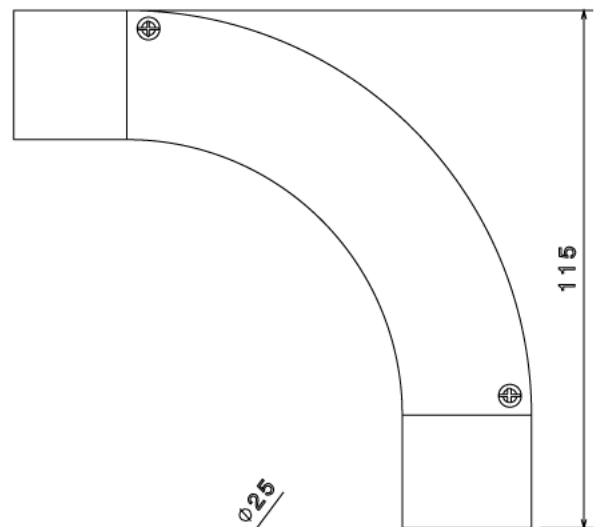
Material PVC

Packaging Packed in qty 20

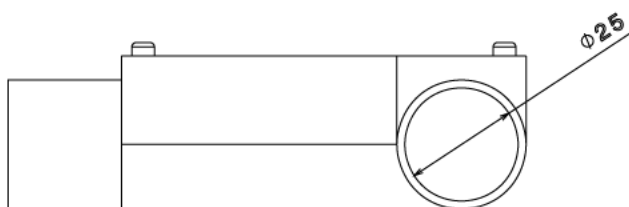
Additional Notes Manufactured to BS4607 part 1



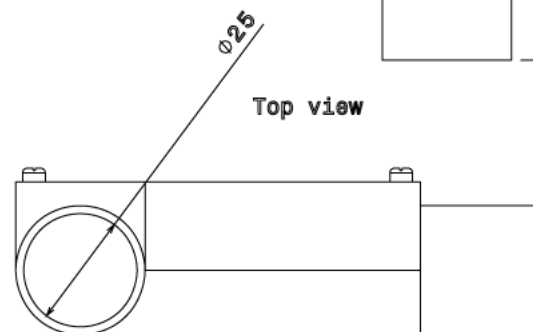
Isometric view



Top view



Front view



Side view

All measurements in mm unless otherwise stated