



PLR20 - PVC LOCKRING -

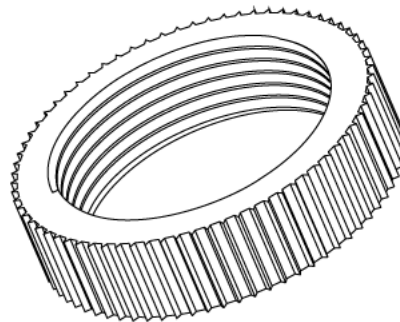
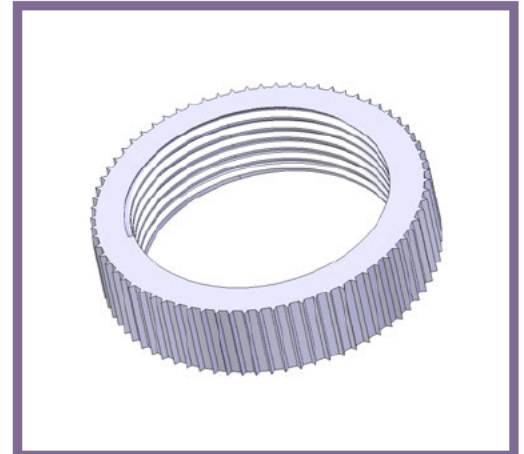
Description PLR20W / B - PVC 20mm Lockring

Finish White (W) Black (B)

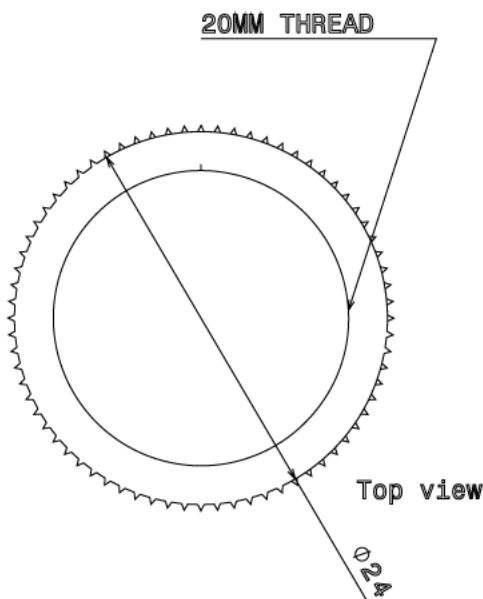
Material PVC

Packaging Packed in qty 100

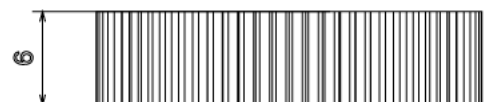
Additional Notes Manufactured to BS4607 part 1



Isometric view



Top view



Side view

All measurements in mm unless otherwise stated