



PLR25 - PVC LOCKRING -

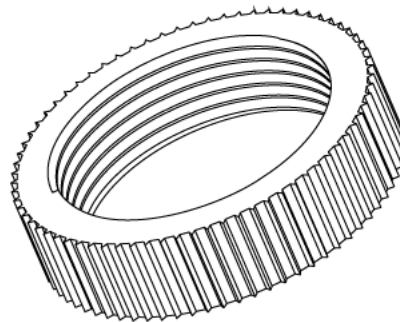
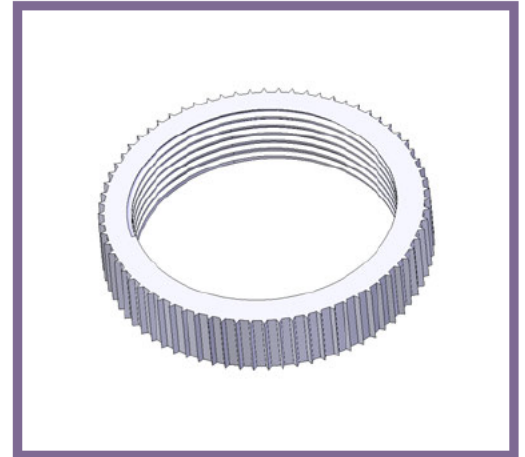
Description PLR25W / B - PVC 25mm Lockring

Finish White (W) Black (B)

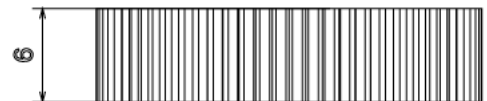
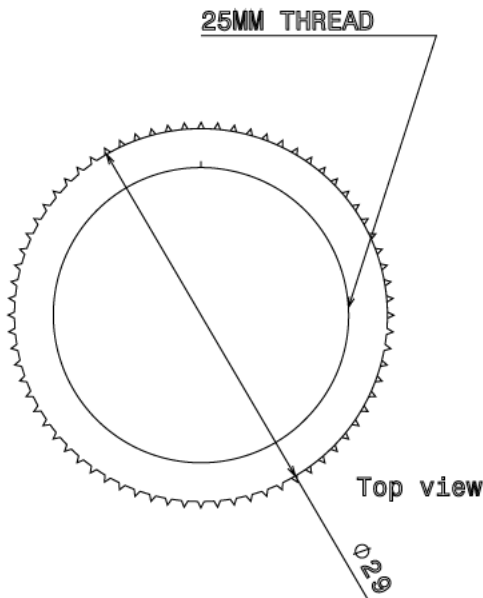
Material PVC

Packaging Packed in qty 100

Additional Notes Manufactured to BS4607 part 1



Isometric view



Side view

All measurements in mm unless otherwise stated